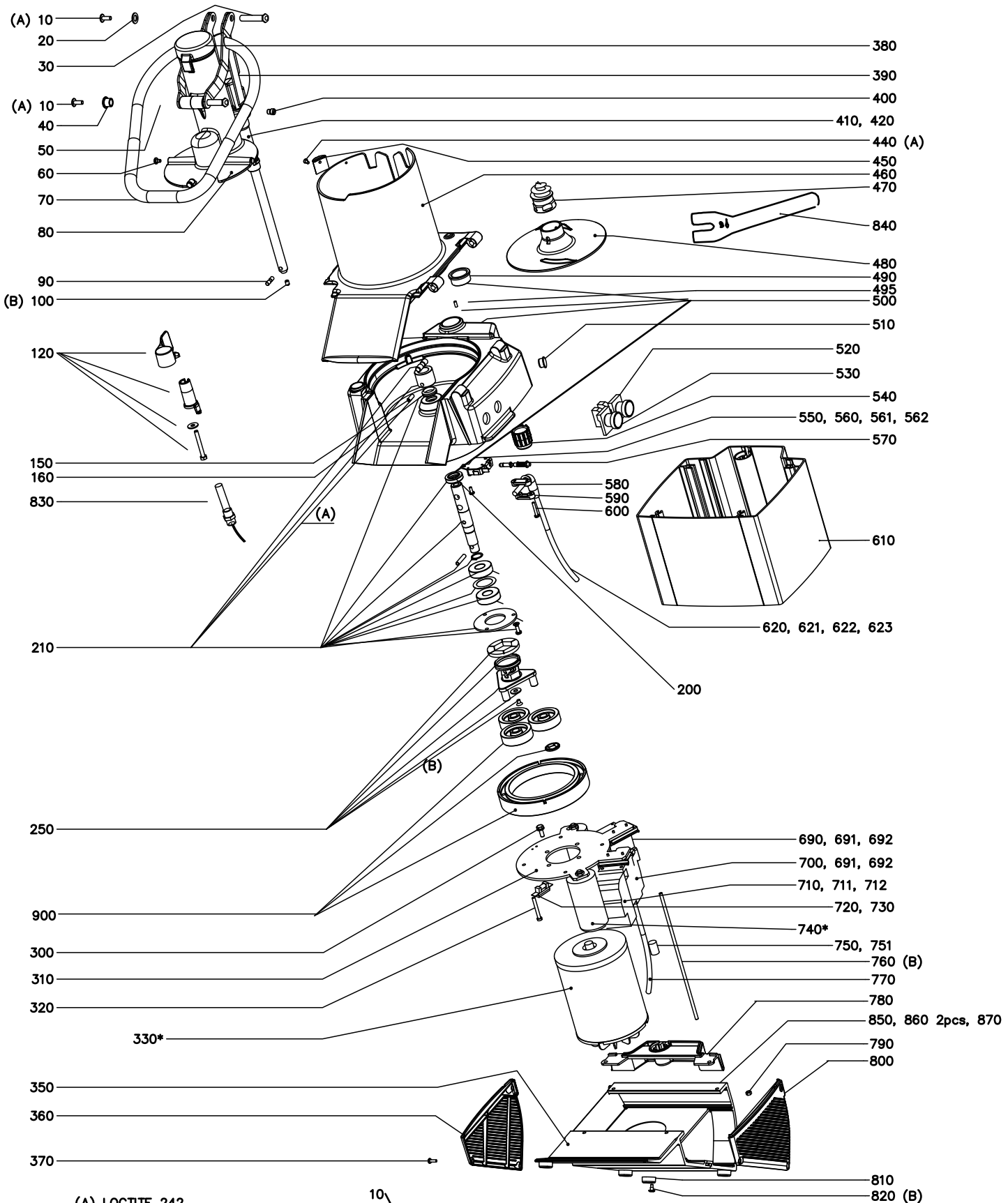


RG-250



(A) LOCTITE 242

(B) LOCTITE 243

- 10
 - 20
 - 30
 - 40
 - 50
 - 60
 - 70
 - 80
 - 90
 - 100
 - 390
 - 400
 - 410
 - 420
- 920

RG-250

No. on drawing	Item No.	Description	Pcs
10	25190	Screw	2
20	10642	Washer, plasitc 18/10,5X1,5	2
30	25162	Shaft L=45	1
40	25181	Bushing 19/14-10,2	2
50	25189	Shaft L=56	1
60	33305	Slide knob dia. 10X4	3
70	25155	Pusher handle	1
80	25102	Feeder plate incl. shaft	1
90	25159	Pin, 6MM	1
100	14833	Lock screw	1
120	1406	Locking handle kompl.	1
150	3152	Carrier pin for ejector plate	2
160	10262	Seal ring V-18S	1
200	10259	Rubber seal washer 18X30X7	1
210	1402	Knife shaft kompl RG-200/ RG-250	1
250	1403	Brake kompl. RG-100/200/250.	1
300	14521	Screw M6S M6X12H	4
310	25149	Plate, motor	1
320	14353	Screw MRT M5X40	4
330	*	Motor	1
350	25140	Base	1
360	25146	Louver, left	1
370	14662	Screw KFSS ST3.5X13 A2 70	6
380	25180	Pestle	1
390	25160	Link	1
400	25191	Screw for link system	2
410	25161	sleeve for link system	1
420	25182	Bushing 18-15,3	2
440	14223	Screw MKFS M4X 10 A2 70	1
450	25177	Support, piston	1
460	25106	Feed cylinder compl.	1
470	1172	Decoring device	1
480	25153	Ejector plate	1
490	25183	Bushing 37/33-26,4	1
495	14881	RIVET KDS 2X4,5	1
500	1404	Knife chamber RG-250	1
510	10455	Plug IKPT 1715S	1
520	15657	Push button o compl.	1
530	15440	Push button 1 complete	1
540	25158	Guide bushing	1
550	25145	Safety switch compl. US	1
560	14851	Screw MRT M4X10 A2	2
561	15565	Micro switch XGT42C-86-S20Z1	1
562	23227	Insulating barrier for switch	1
570	25163	Activator pin compl.	1
580	15648	Sleeve 134-002 dia. 12/8	1
590	10589	Strain relief clamp 55-016-89	2
600	14336	Screw MRT-H M4X25 A2 70	2
610	25137	Machine housing compl.	1
620	15208	Supply cord SJT3X14 AWG, US	1
621	15147	Supply cord CB 1 phase RG-100/200/250/350/vcb-61/vcm-41	1
622	15377	Supply cord BS/2.5MS UK	1
623	15142	Supply cord CB 3 phse	1
690	15813	Contactactor 11BG0910A110	1
691	15810	Contactactor 11BG0610A230	4
692	15818	Contactactor 11BG0610A400	2

* Contact HALLDE for more information when ordering (supply your serial number).

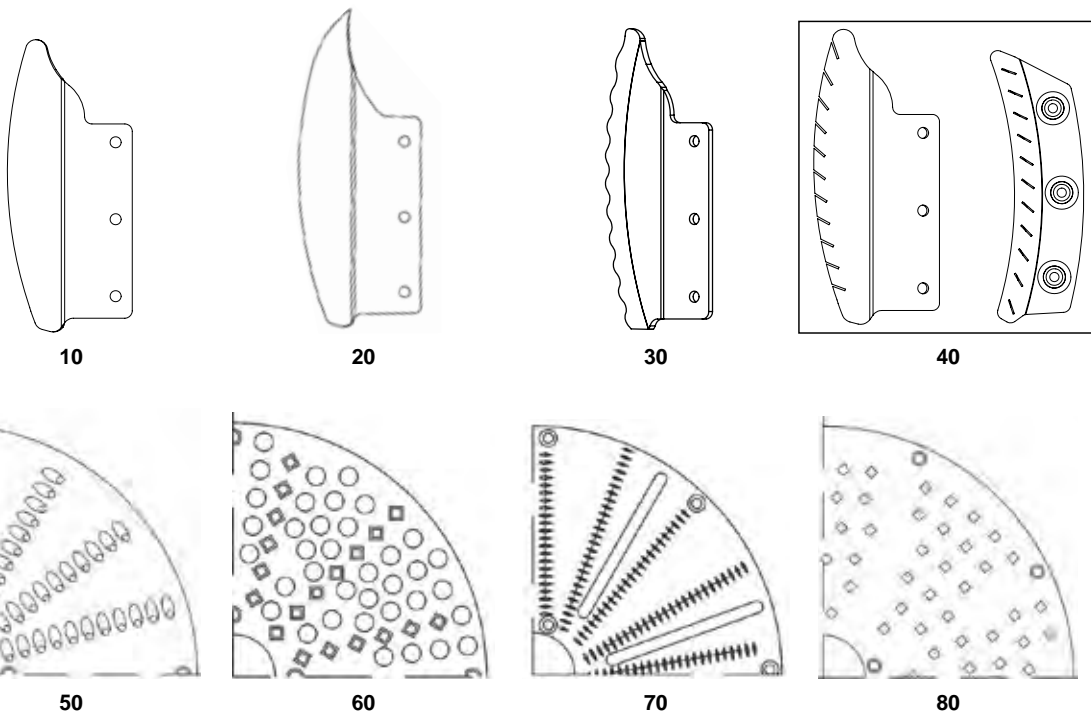
RG-250

No. on drawing	Item No.	Description	Pcs
700	15815	Contactora BF1210A110	1
710	15811	Overload rel.RF120160	1
711	15816	Overload RF120630	1
712	15666	Overload rel. 7-10A 110v	1
720	15385	Fuse holder	1
730	15384	Fuse T100MA	1
740	*	Capacitor	1
750	15111	RC-circuit 110v	1
751	15110	RC-circuit 230v	1
760	25136	Draw bar kit M5	1
770	25135	Wiring kit	1
780	25148	Handle	1
790	14046	Nut, locking LM M5 A2	4
800	25147	Louver, right	1
810	10507	Foot, rubber BVO 22H10	4
820	40786	Screw for rubberfoot	4
830	15354	Magnetic switch HM-S-16	1
840	1184	Wrench for decoring device	1
850	10497	Bushing plastic 05-6-10-7.5	1
860	10498	Easher plastic 32-6	2
870	14465	Screw LSKS M6X20 A2 70	1
900	1098	Planetwheels and gearing kit	1
920	25103	Feeder unit compl.	1

** Contact HALLDE for more information when ordering (supply your serial number).*

SPARE PARTS CUTTING TOOLS FOR RG-100, RG-200, RG-250 diwash, RG-250 AND RG-7

Cutting Tool	No. on drawing	Item No.	Description
Slicer	10	63303	Knife, Slicer 0.5-1 mm
	20	63324	Knife, Slicer 1.5-10 mm
Crimping Slicer	30	63301	Knife, Crimping Slicer
Julienne Cutter	40	63331	Kit spare part Julienne 2x2m
		63354	Kit spare part Julienne 2x6 mm
		63357	Kit spare part Julienne 3x3 mm
		63332	Kit spare part Julienne 4x4 mm
		63333	Kit spare part Julienne 6x6 mm
		63334	Kit spare part Julienne 8x8 mm
Grater/Shredder	50	87101	Plate for 1.5 mm, Grater
		87102	Plate for 2 mm, Grater
		87103	Plate for 3 mm, Grater
		87104	Plate for 4.5 mm, Grater
		87105	Plate for 6 mm, Grater
		87106	Plate for 8 mm, Grater
		87107	Plate for 10 mm, Grater
Fine Grater	60	87108	Plate, Fine Grater
	70	87109	Plate, Grater Extra Fine
	80	87110	Plate, Hard Cheese Grater



SPARE PARTS CUTTING TOOLS FOR RG-100, RG-200, RG-250 diwash, RG-250 AND RG-7

Cutting Tool	No. on drawing	Item No.	Description
Standard Slicer	90	87111	Knife, Standard Slicer
Fine Cut Slicer	100	87112	Knife, Fine Cut Slicer
Crimping Slicer	110	87113	Knife, Crimping Slicer
Soft Slicer	120	87114	Knife, Soft Slicer
Julienne Cutter	90	87111	Knife, Standard Slicer
	130	87116	Horizontal knife, 4.5x4.5 mm
		87117	Horizontal knife, 6x6 mm
		87118	Horizontal knife, 8x8 mm
		87119	Horizontal knife, 10x10 mm
	140	87120	Kit Knife block, 2x2 mm
		87121	Kit Knife block, 2x2 mm CC
		87122	Kit Knife block, 2.5x2.5 mm
	150	87123	Kit Knife block, 4.5x4.5 mm
		87124	Kit Knife block, 4.5x4.5 mm CC
		87125	Kit Knife block, 6x6 mm
	87126	Kit Knife block, 8x8 mm	
	87127	Kit Knife block, 10x10 mm	
Potato Chip Grid for RG-7, RG-250 diwash and RG-250	160	3797	Compl. kit knives Potato Chip Grid
Dicing Grid for RG-7, RG-200, RG-250 diwash and RG-250	170	82357	Compl. kit knives, 10 mm
		82358	Compl. kit knives, 12.5 mm
		82361	Compl. kit knives, 25 mm
Dicing Grid for RG-200, RG-250 diwash and RG-250	180	82346	Center ring di. 34 aluminium

