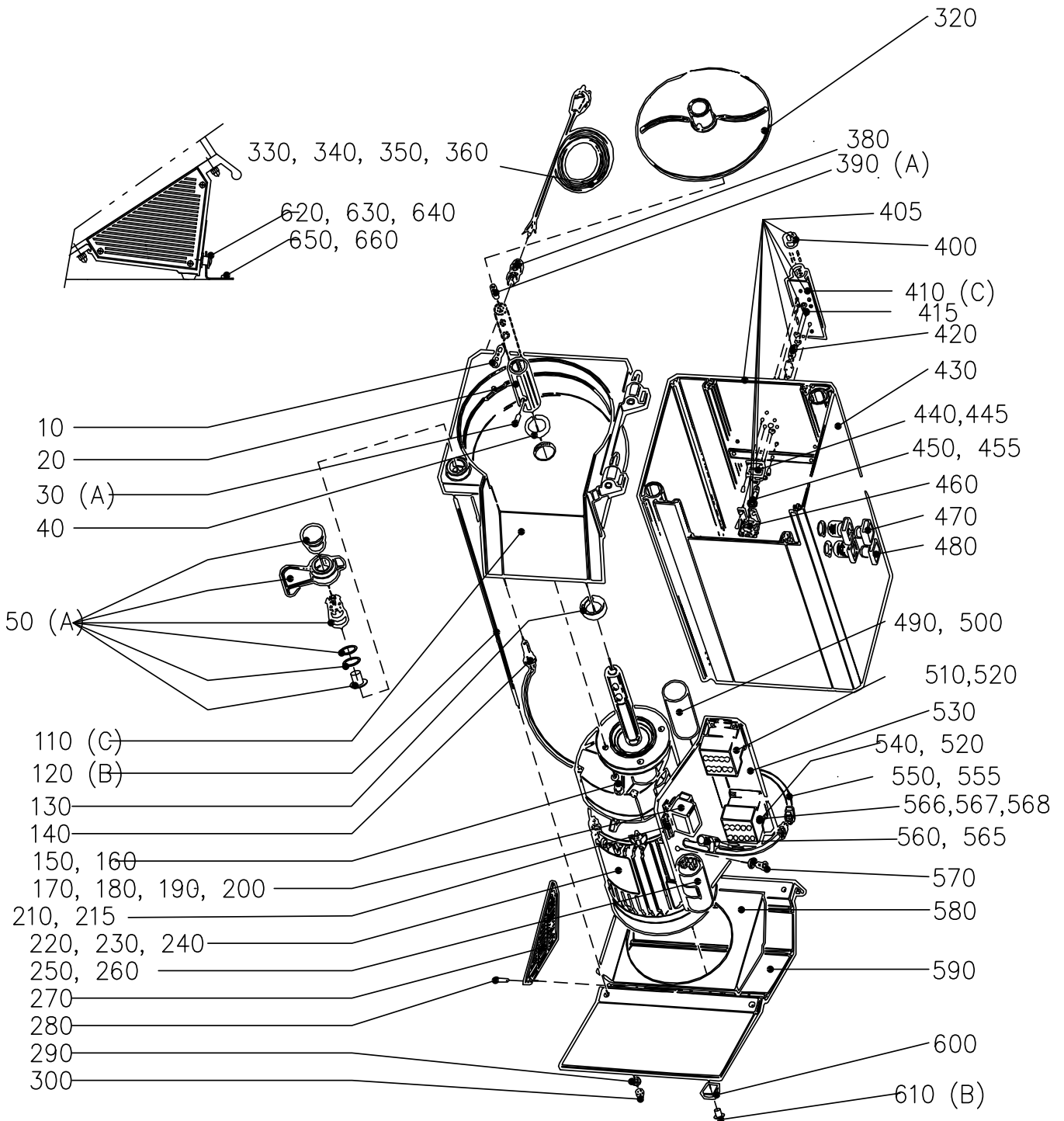


# RG-350

No. on drawing	Item No.	Description	Pcs
10	40548	Carrier pin	1
20	15783	Thrust sleeve	1
30	15784	Carrier pin for ejector plate	2
40	10311	Seal ring V-35S	1
50	40524	Locking handle complete	1
110	40540	Knife chamber	1
120	40629	Pin screw set	1
130	10444	Seal ring basl 35X52X10	1
140	15354	Magnetic switch HM-S-16	1
150	14086	Lock washer FBB 6.1 A2	4
160	14525	Screw M6S M6X20	4
170	15510	Start relay kit 230v	1



A: LOCTITE NO.242

B: LOCTITE NO.243

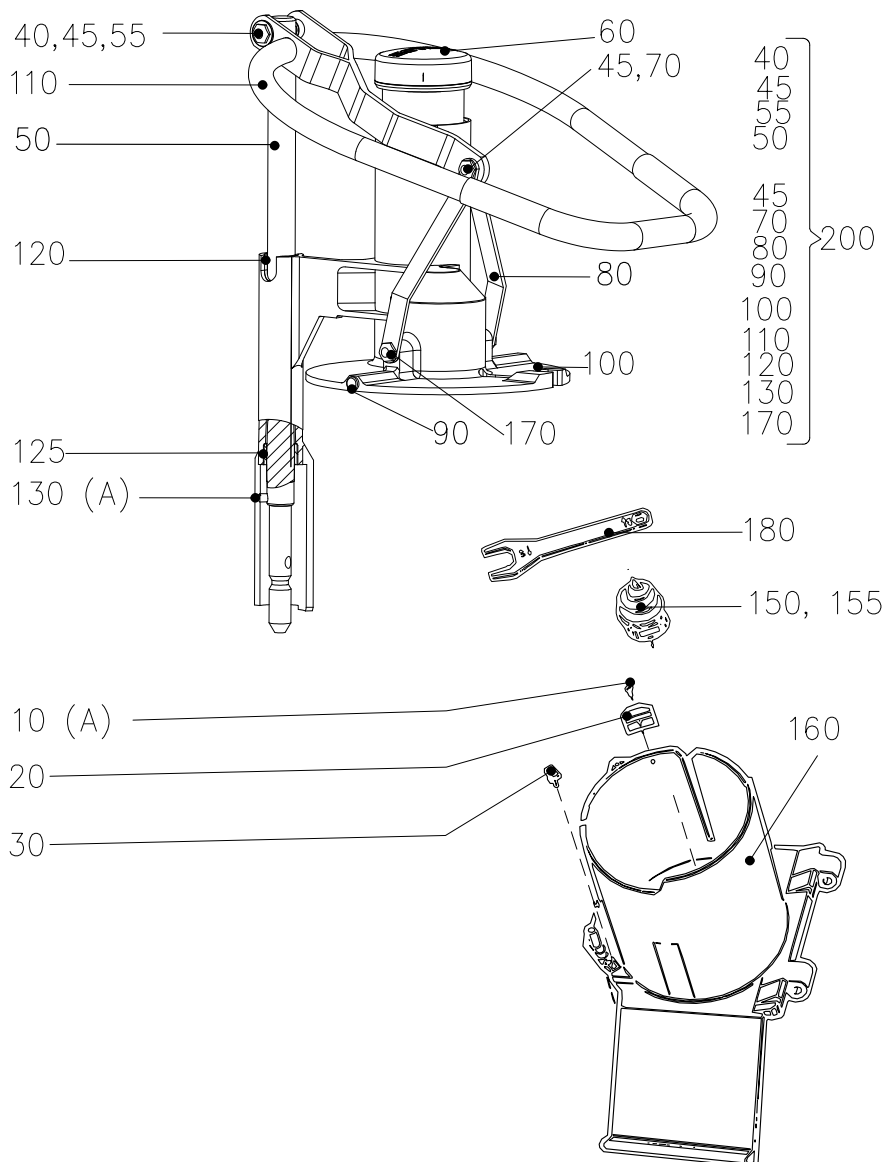
C: SILICONE RTV 108 ALL THE WAY AROUND HOUSING

## RG-350

No. on drawing	Item No.	Description	Pcs
180	40807	Start relay kit 230v	1
190	15503	Start relay no260 klixon 110v	1
200	40814	Start relay kit 110v	1
210	15384	Fuse T100MA	1
215	15385	Fuse holder	1
220	15780	Motor CB1701-4SB5 110-120 1 60	1
230	15781	Motor 220-240 1 50/60	1
240	15782	Motor CB1701-4SB5 400 3 50	1
250	15502	Capacitor,start 193MICROF 110v	1
260	15154	Kondensator	1
270	1096	Louver kit	1
280	14248	Screw KFX-H ST3,5X9,5 A2 70	6
290	14085	Lock washer FBB 5,1 A2	6
300	1267	Nut,domed head M5	4
320	3086	Ejector plate	1
330	15147	Supply cord CB 1 phase RG-100/200/250/350/VCB-61/VCM-41	1
340	15377	Supply cord BS/2.5MS UK	1
350	15208	Supply cord SJT3X14 AWG, US	1
360	15142	Supply cord CB 3 phse	1
380	15483	Cable retain. met.PR15.2 dia10	2
390	14844	Locking screw PSS M8X 12 A2 70	1
400	40680	Bushing	2
405	40689	Rear bracket for shaft compl.	1
410	40637	Bracket incl screws	1
415	10500	Sealring 06X2.2 N70BN02F	2
420	40638	Activator pin short compl.	1
430	40567	Housing assembly compl.	1
440	40640	Microswitch unit single compl.	1
445	15481	Micro switch BVMF ULS	1
450	40639	Activator pin long compl.	1
455	10499	Spring SF-TFR 0,75-6-15	2
460	40641	Microswitch unit double compl.	1
470	15657	Push button o compl.	1
480	15440	Push button 1 complete	1
490	15501	Capasitor,run 80MICROF. 110v	1
500	15489	Capasitor 16 MF, 220-240V	1
510	15810	Contactactor 11BG0610A230	2
520	15815	Contactactor BF1210A110	1
530	40632	Panel incl. fasteners	1
540	15813	Contactactor 11BG0910A110	1
550	40787	Wring loom, LS-relay	1
555	40800	Wiring loom 3-phase	1
560	15111	RC-circuit 110v	1
565	15110	RC-circuit 230v	1
566	15819	Overload relay RF381800V195	1
567	15816	Overload RF120630	1
568	15812	Overload relay RF381400V195	1
570	14339	Screw MRX-H M5X12 A2 70	6
580	40547	Fan plate	1
590	40622	Base	1
600	10507	Foot, rubber BVO 22H10	4
610	40786	Screw for rubberfoot	4
620	10497	Bushing plastic 05-6-10-7.5	1
630	10498	Easher plastic 32-6	2
640	14465	Screw LSKS M6X20 A2 70	1
650	40780	Bracket	1
660	14990	Screw CSS 4.8X25 A2	2

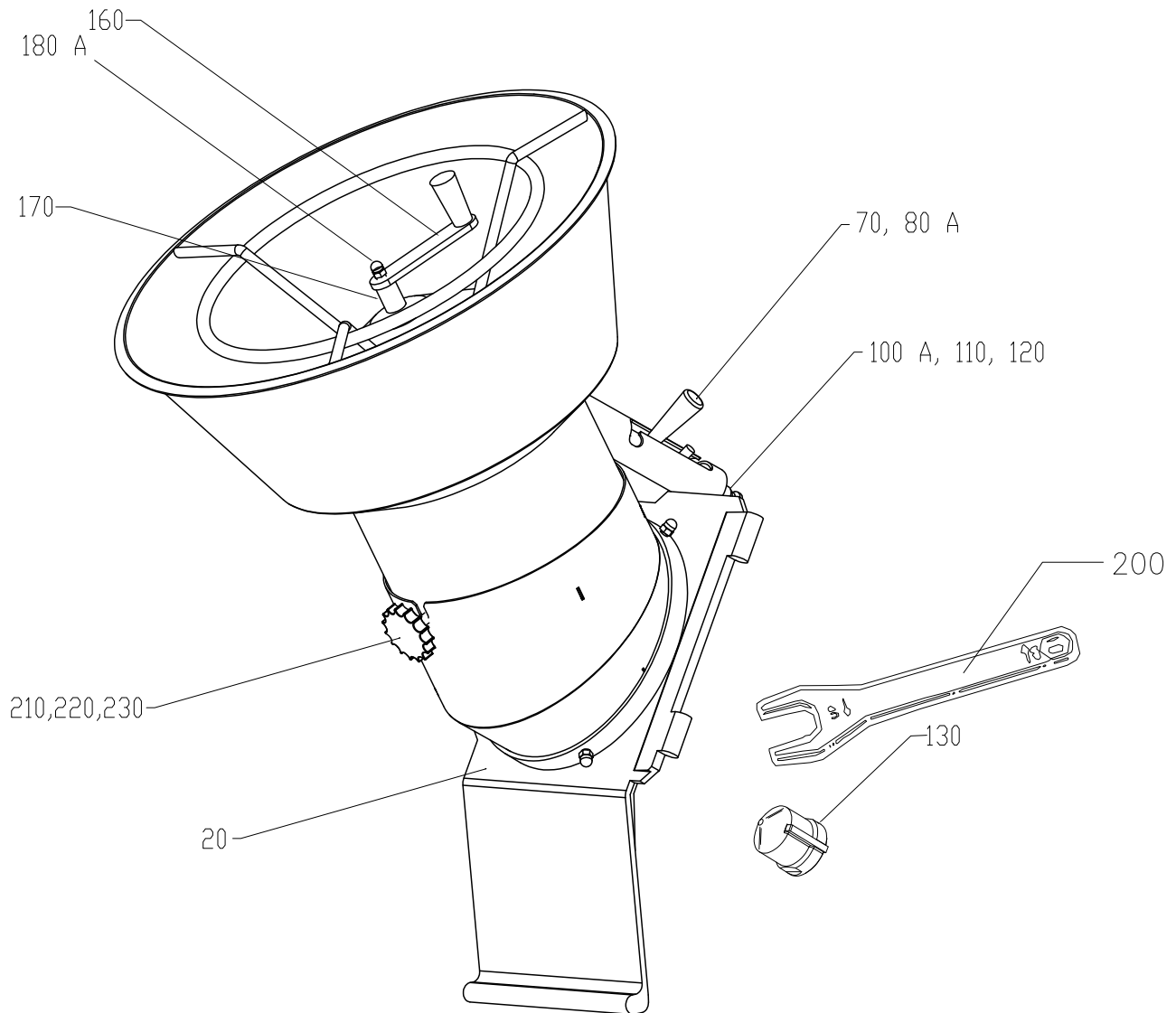
## RG-350 MANUAL FEEDER, ERGO LOOP

No. on drawing	Item No.	Description	Pcs
10	14223	Screw MKFS M4X 10 A2 70	2
20	40628	Support plate	1
30	40627	Sliding washer	1
40	25162	Shaft L=45	1
45	25190	Screw	2
50	40844	Pusher shaft	1
55	40848	Bushing	2
60	40554	Pestle	1
70	40849	Nut L=12,5	1
80	40894	Pusher link	2
90	40575	Slide knob	3
100	40876	Pusher plate Ergo compl.	1
110	40845	Pusher handle ergo	1
120	40846	Bushing 20.4/25X30	1
125	40762	Bushing 25X13	1
130	1054	Pin	1
150	3129	Decoring device 3ph	1
155	40636	Decoring device 1ph compl.	1
160	40887	Feed cylinder compl.	1
170	25191	Screw for link system	2
180	3162	Wrench	1
200	40869	Push feeder handle	1



## RG-350 FEED HOPPER

No. on drawing	Item No.	Description	Pcs
20	40627	Sliding washer	1
70	10343	Handle I280/65-M8	1
80	3149	Stud screw	1
100	1054	Pin	1
110	40892	Sliding sleeve	1
120	40890	Locking shaft	1
130	40891	Stiring sleeve	1
160	3311	Agitator arm	1
170	40893	Stirrer	1
180	14028	Nut MHM M8	1
200	3162	Wrench	1
210	10036	Lobe knob 25-M5	1
220	10281	Locking washer 12X21	1
230	10306	Plug	1

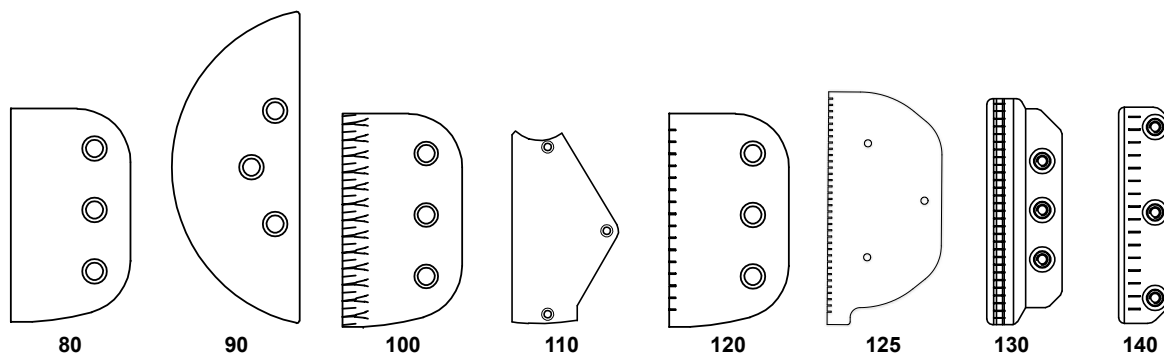


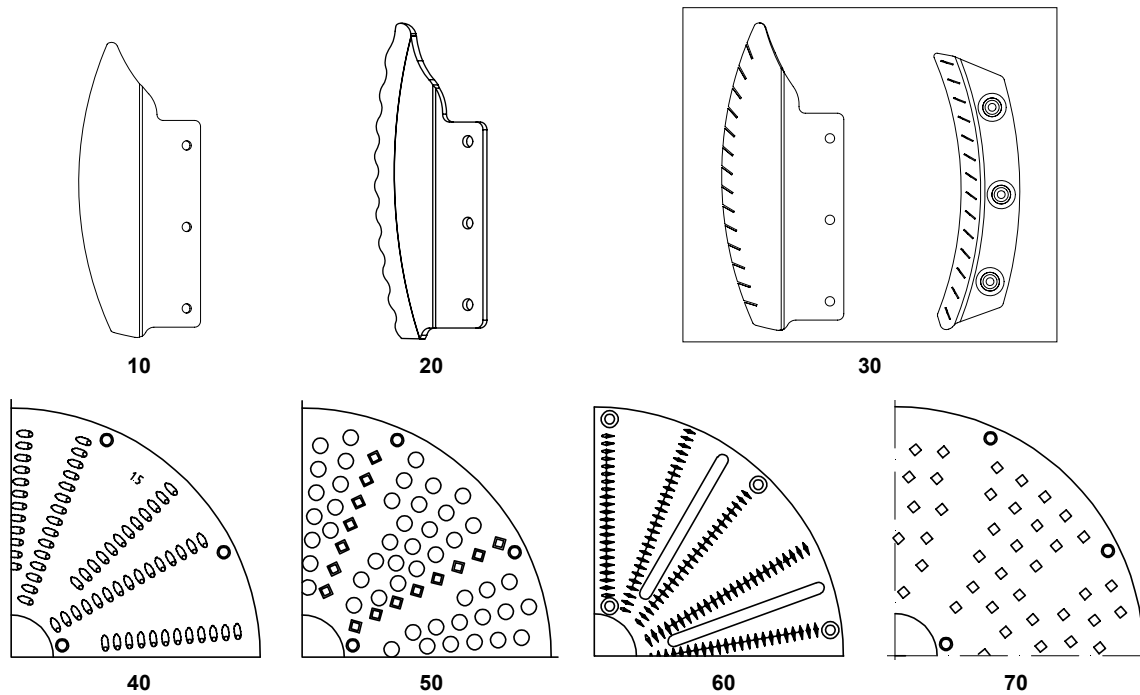
## SPARE PARTS CUTTING TOOLS FOR RG-350/RG-400/RG-300i AND RG-400i

Cutting Tool	No. on drawing	Item No.	Description
<b>Slicer</b>	10	63302	Knife, Slicer
<b>Crimping Slicer</b>	20	63300	Knife, Crimping Slicer
<b>Julienne Cutter</b>	30	63336	Kit spare part Julienne 2x2mm
		63356	Kit spare part Julienne 2x6mm
		63358	Kit spare part Julienne 3x3 mm
		63337	Kit spare part Julienne 4x4mm
		63338	Kit spare part Julienne 6x6mm
		63339	Kit spare part Julienne 8x8mm
		63335	Kit spare part Julienne 10x10m
<b>Grater/Shredder</b>	40	87128	Plate for 1.5 mm, Grater
		87129	Plate for 2 mm, Grater
		87130	Plate for 3 mm, Grater
		87131	Plate for 4.5 mm, Grater
		87132	Plate for 6 mm, Grater
		87133	Plate for 8 mm, Grater
		87134	Plate for 10 mm, Grater
<b>Fine Grater</b>	50	87135	Plate, Fine Grater
	60	87136	Plate, Grater Extra Fine
	70	87137	Plate, Hard Cheese Grater

## SPARE PARTS CUTTING TOOLS FOR RG-350/RG-400/RG-300i AND RG-400i

Cutting Tool	No. on drawing	Item No.	Description	
<b>Standard Slicer / HC Slicer</b>	80	87138	Knife, Standard Slicer	
<b>Fine Cut Slicer</b>	90	87139	Knife, Fine Cut Slicer	
<b>Crimping Slicer</b>	100	87140	Knife, Crimping Slicer	
<b>Soft Slicer</b>	110	87141	Knife, Soft Slicer	
<b>Julienne Cutter</b>	130	87142	Kit Knife block, 2.5x2.5 mm	
		87143	Kit Knife block, 2.5x6 mm	
<b>Julienne Cutter / HC Julienne Cutter</b>	80	87138	Knife, Standard Slicer	
		120	87157	Horizontal knife, 2x6 mm
			87145	Horizontal knife, 4x4 mm
			87146	Horizontal knife, 6x6 mm
			87147	Horizontal knife, 10x10 mm
	125	87156	Horizontal knife, 2x2 mm	
		87159	Horizontal knife, 2x6 mm	
	130	87142	Kit Knife block, 2.5x2.5 mm	
		87143	Kit Knife block, 2.5x6 mm	
		87148	Kit knife block, 2x2 mm	
		87158	Knife block, 2x6 mm	
		140	87149	Kit Knife block, 4x4 mm
	87150		Kit Knife block, 6x6 mm	
	87151		Kit Knife block, 10x10 mm	
	<b>HC Julienne Cutter</b>	120	87152	Horizontal knife, 2x2 mm
87155			Horizontal knife, 2.5x2.5 mm	
87153			Horizontal knife, 8x8 mm	
140		87154	Kit Knife block, 8x8 mm	





## SPARE PARTS POTATO CHIP GRID AND DICING GRIDS FOR RG-350/RG-400/RG-300i AND RG-400i

Cutting Tool	No. on drawing	Item No.	Description
<b>Potato Chip Grid</b>	150	35734	Compl. knife kit Potato Chip Grid
<b>Center ring</b>	160	62743	Center ring
<b>Ceramic kit for RG-400i</b>	170	37252	Ceramic kit
<b>Complete knife kit for Dicing Grids</b>	180	62431	Compl. kit knives, DG 6 mm
		62432	Compl. kit knives, DG 8 mm
		62433	Compl. kit knives, DG 10 mm
		62434	Compl. kit knives, DG 12 mm
		62435	Compl. kit knives, DG 15 mm
		62436	Compl. kit knives, DG 20 mm
		62437	Compl. kit knives, DG 25 mm
<b>1 meter knife blade for Dicing Grids</b>	190	82331	Knife blade, upper 6 mm, 1 M
		82332	Knife blade, lower 6 mm, 1 M
		82333	Knife blade, upper 8 mm, 1 M
		82334	Knife blade, lower 8 mm, 1 M
		82335	Knife blade, upper 10 mm, 1 M
		82336	Knife blade, lower 10 mm, 1 M
		82337	Knife blade, upper 12 mm, 1 M
		82338	Knife blade, lower 12 mm, 1 M
		82339	Knife blade, upper 15 mm, 1 M
		82340	Knife blade, lower 15 mm, 1 M
		82341	Knife blade, upper 20 mm, 1 M
		82342	Knife blade, lower 20 mm, 1 M
82343	Knife blade, upper 25 mm, 1 M		
82344	Knife blade, lower 25 mm, 1 M		
<b>Tool for inner lock ring</b>	200	62449	Tool for inner lock ring

