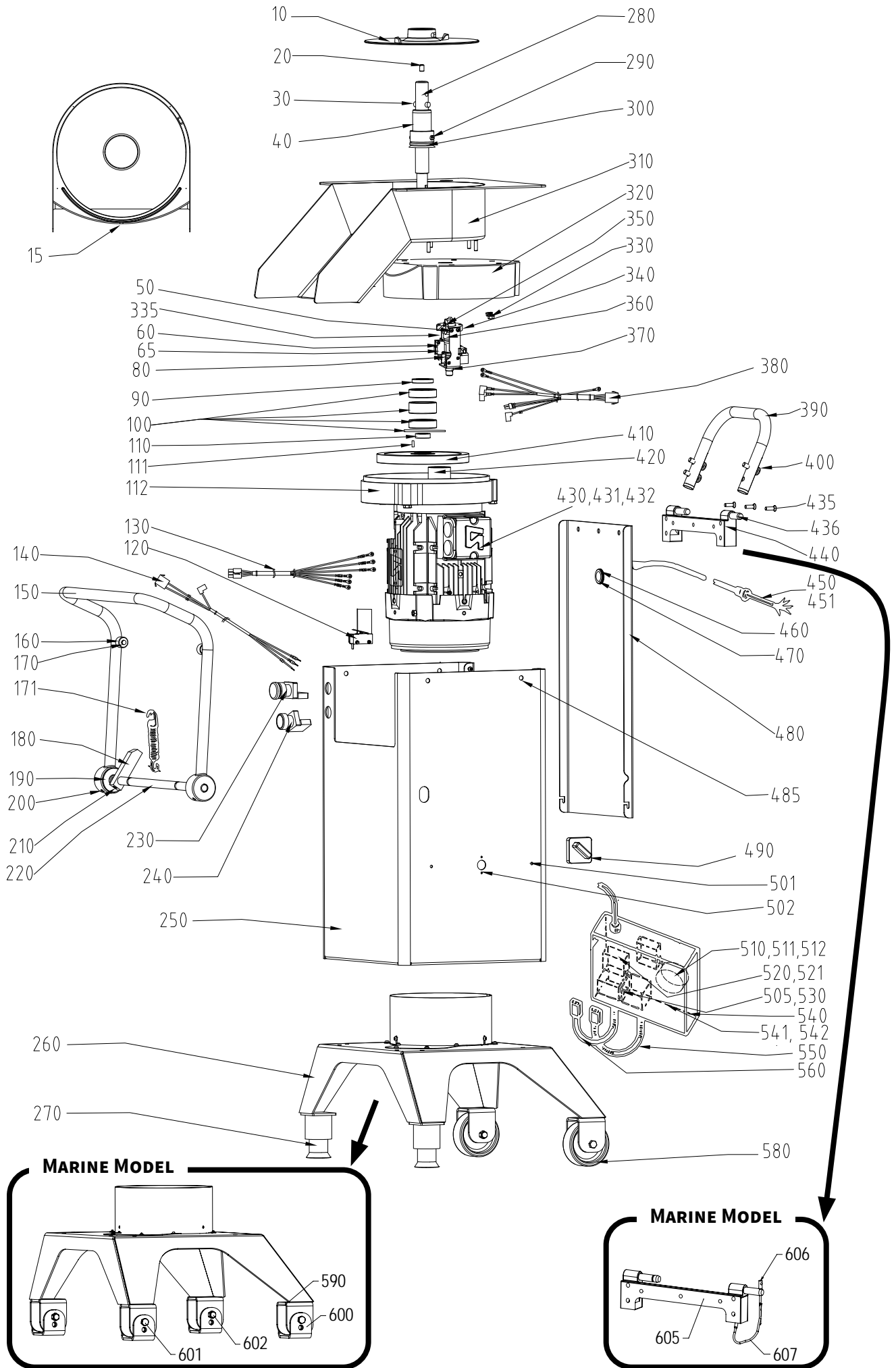


# RG-400i



## RG-400i

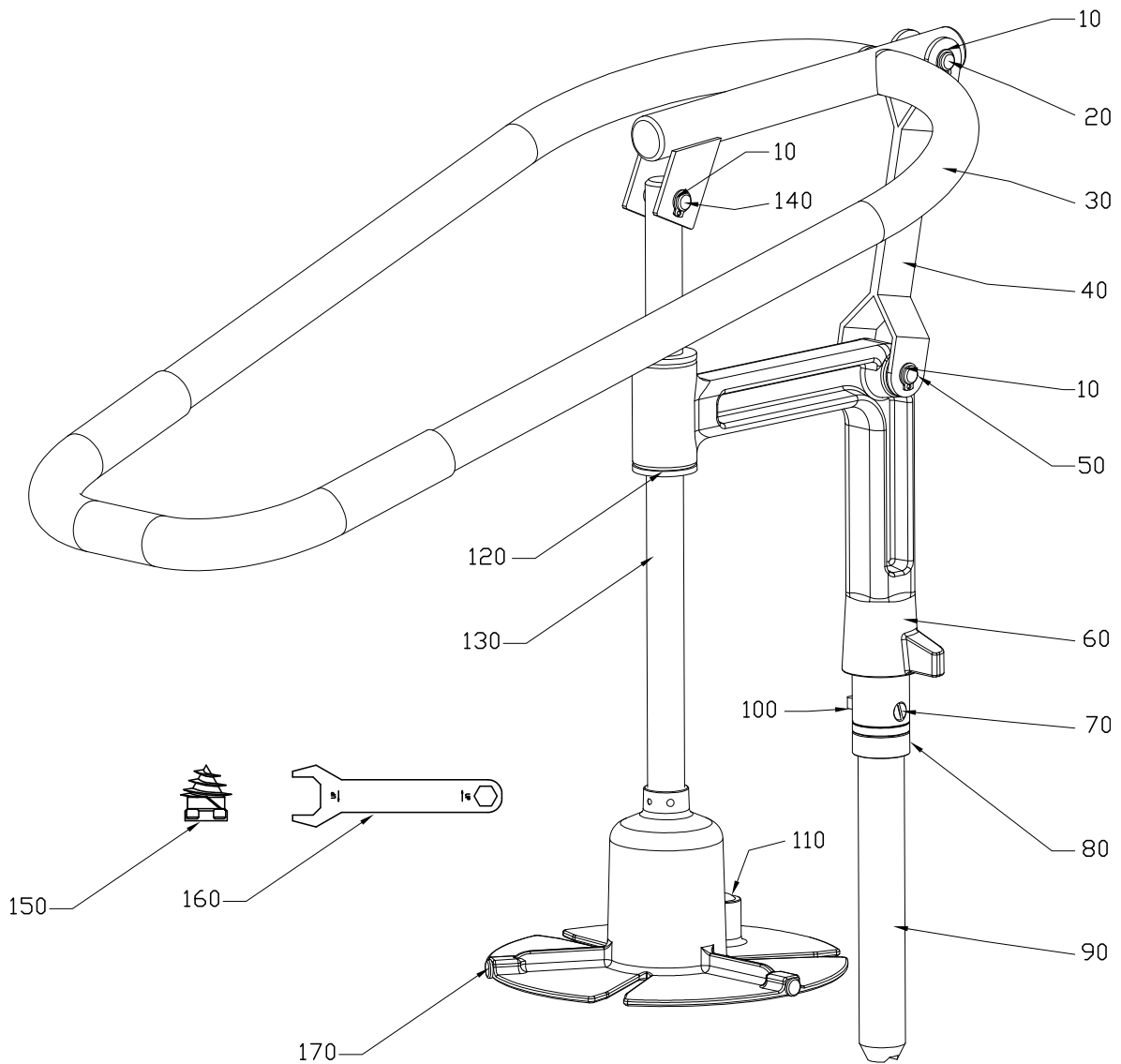
No. on drawing	Item No.	Description	Pcs
10	37042	Ejector plate	1
15	37297	Tray	1
20	14844	Locking screw PSS M8X 12 A2 70	1
30	40548	Carrier pin	1
40	37389	sleeve	1
50	14853	Screw MRT M4X6 A2	4
60	37215	Micro switch unit kompl.	1
65	37245	Micro switch XGT2C-86-Z1	1
80	10324	Spring, safety switch 22510	1
90	10318	Seal ring 25X40X7	1
100	37152	Ball bearings kompl.	1
110	3056	Spacer ring 20/28	1
111	10321	Key PKR 6X6X16	1
112	37158	Motor bearer complete	1
120	37157	Micro switch complete	1
130	3194	Wiring loom motor	1
140	37135	Wiring loom machine	1
150	37017	Lock handle	1
160	37217	Roller locking handle	2
170	10326	Lock ring SGA 8 SS	2
171	3111	Tension spring	2
180	3108	Stopper for lock handle	1
190	3089	Bushing for lock handle	2
200	14849	Screw TSS 8X25 A2 70	2
210	14845	Screw TSS 8X15 A2 70	1
220	37020	Shaft lock handle	1
230	15439	Push button 0 complete	1
240	15440	Push button 1 complete	1
250	37075	Machine housing front part	1
260	37052	Base	1
270	37154	Feet complete	1
280	37072	Knife shaft complete	1
290	37059	Carrier pin for ejector plate	2
300	10311	Seal ring V-35S	1
310	37001	Knife chamber	1
320	37006	Gearbox top	1
330	14006	Nut M6M M6 A2 70	6
335	10539	O-ring 21.1X1.6	1
340	37047	Casing for switch	1
350	10325	Seal ring 17.1X1.6	2
360	37172	Shaft safety switch	1
370	37250	Bushing	1
380	37109	Wiring loom, machine	1
390	3110	Handle knifechamber	1
400	14375	Screw MCS M8X25 A2 70	4
410	37156	Gear wheel 173.2 complete	1
420	37155	Gear wheel 53.6 complet	1
430	15435	Motor 400-415 3 50	1
431	15433	Motor 220 3 50 4-8 RG-400	1
432	15432	Motor 208-220 3 60 UL	1
435	14269	Screw MKFS M6X25 A2 70	3
436	37171	Seal ring	1
440	37098	Hinge	1
450	15144	Supply cord CB 3 phse	1
451	3193	Supply cord US	1
460	15381	Cable ret PR 22.5 dia 15	1
470	15443	Nut PR 22.5/PG16 metal	1

## RG-400i

No. on drawing	Item No.	Description	Pcs
480	37023	Machine housing back part	1
485	14464	Screw LSKS M6X16	4
490	15442	Pole changing switch incl knob	1
501	14428	Screw M4x20 A2 70	2
502	14853	Screw MRT M4X6 A2	2
505	15718	Varistor S20K510	1
510	15589	Transformer 208-240v 22-26v UL	1
511	15611	Transformer 400/380V-24 50VA	1
512	15689	Transf. 440-415V 24 100VA 80C	1
520	15814	Overl. rel. RF12400	1
521	15816	Overload RF120630	1
530	15825	Contacto 11BG0910A024	2
540	15587	Box CT-841	1
541	15152	Fuse	1
542	15672	Insulation sleeve 6.3-0.8 Flag	1
550	3195	Wiring loom pole changening	1
560	3192	Wiring loom electrical box	1
580	37153	Wheel complete	1
590	37501	Base Marine	1
600	37503	Weld plate	4
601	14553	Screw M6S M8X70 A2 70	4
602	14028	Nut MHM M8	4
605	37509	Hinge Marine	1
606	37511	Hinge locking pin	1
607	37513	Wire	1

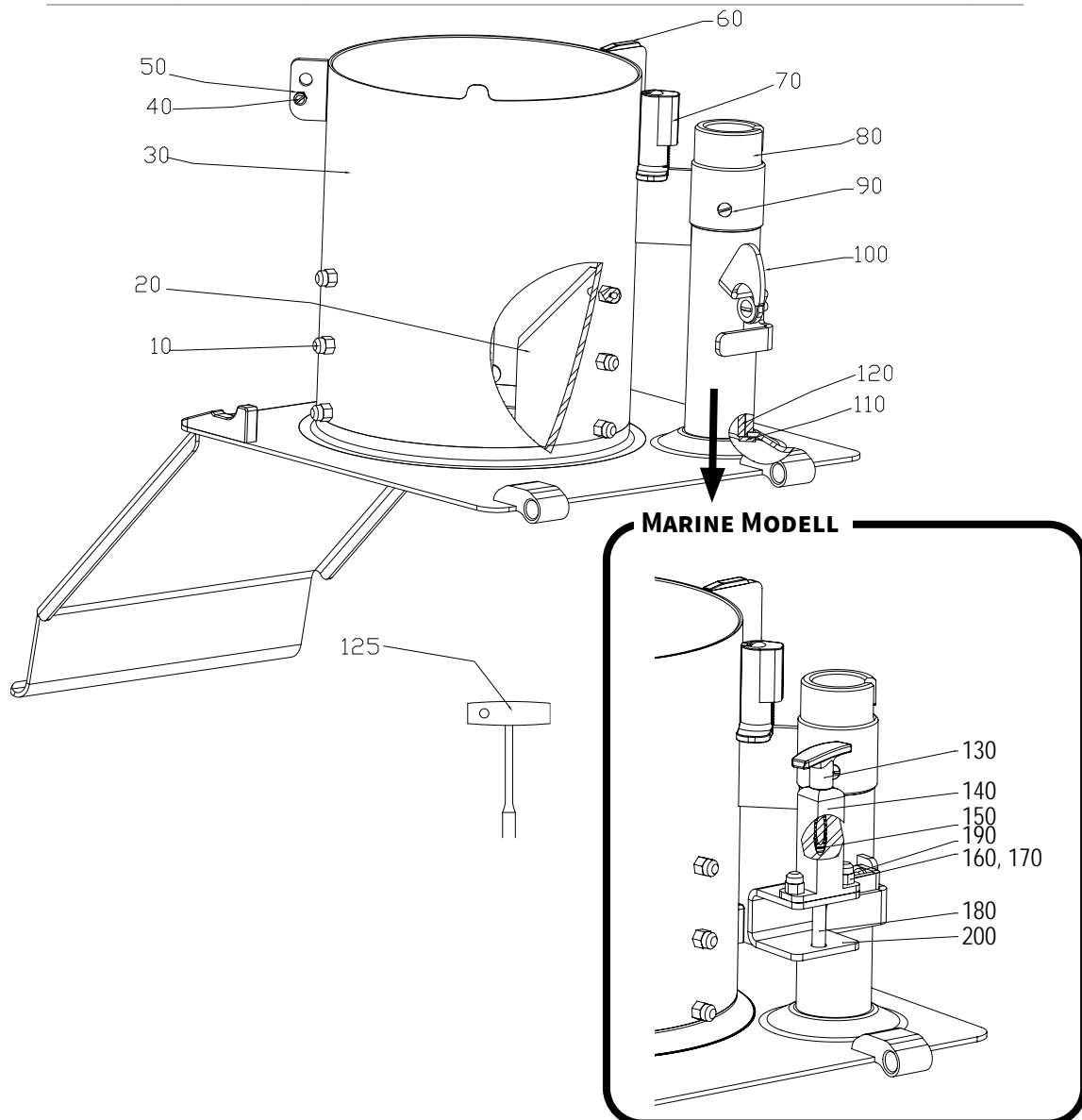
## RG-400i/ RG-400 MANUAL PUSH FEEDER, ERGO LOOP

No. on drawing	Item No.	Description	Pcs
10	10335	Lock ring SGA 10	6
20	3298	Pivot L=38	1
30	33431	Push handle Ergo	1
40	3066	Link	1
50	3297	Pivot L=51	1
60	37148	Stand complete	1
70	14149	Screw MFS M5X16	1
80	37244	Bushing	1
90	37160	Shaft stand	1
100	3212	Pin for stand L=28	1
110	10452	Plug SFL 14	1
120	3074	Bushing for stand	2
130	37061	Feeder plate including shaft	1
140	3299	Pivot L=34	1
150	3129	Decorating device 3ph	1
160	3162	Wrench	1
170	3257	Guide knob	3



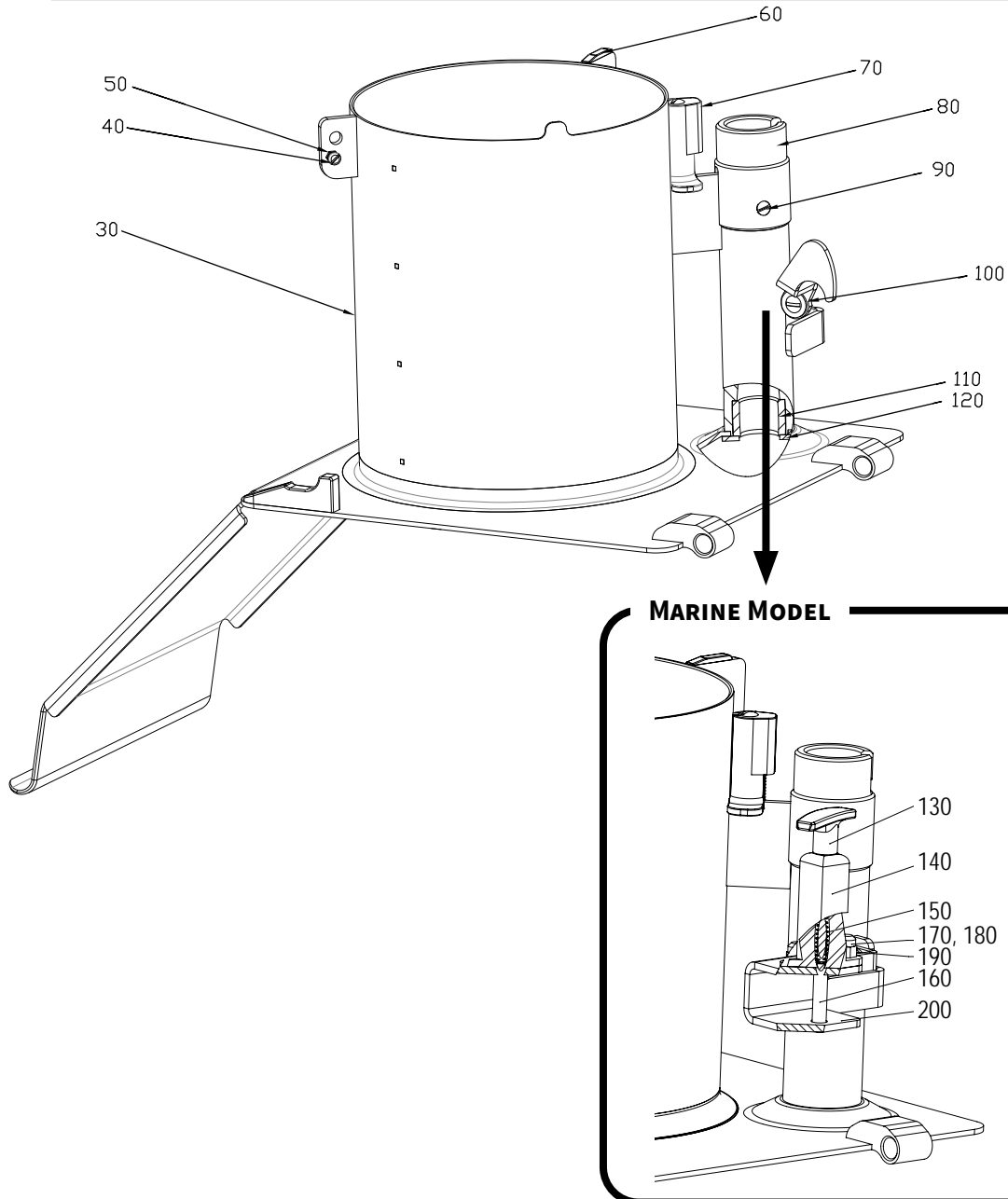
## RG-400i FEED CYLINDER A

No. on drawing	Item No.	Description	Pcs
10	3233	Nut M5	9
20	3134	Knife	3
30	37024	Feed cylinder RG400i	1
40	14326	Screw MCS M4X16	1
50	14004	Nut M6M M4 A2 70	1
60	37097	Slide knob	1
70	37149	Stopper complete	1
80	3253	Bayonet sleeve	1
90	14243	Screw MKFS M5X10	2
100	37162	Locking clutch complete	1
110	37151	Bushing holder complete	1
120	37243	Bushing	1
125	10521	Socket wrench NV10	1
130	37507	T handle	1
140	37505	Locking house	1
150	37508	Spring	1
160	14148	SCREW MFS M5X14	2
170	3233	Nut M5	2
180	37506	Locking pin	1
190	14362	Screw MCS M6x8 A4	2
200	37512	Holder Marine	1
210	37022	Locking distance	2
220	14121	Screw MFS M4X6 A2 70	4

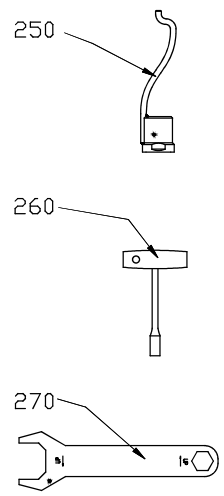
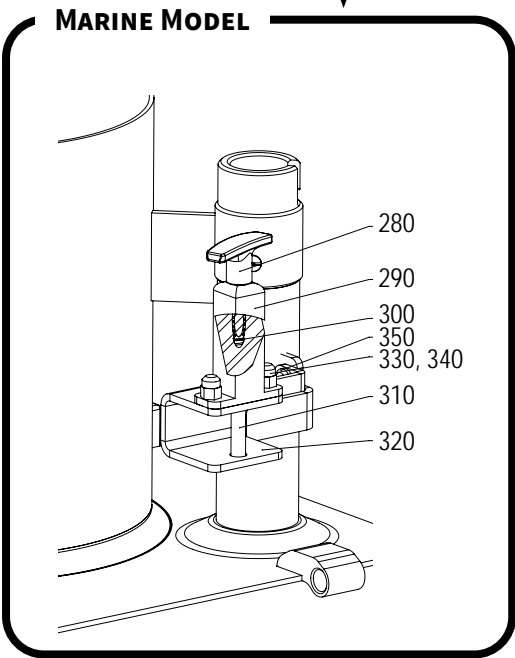
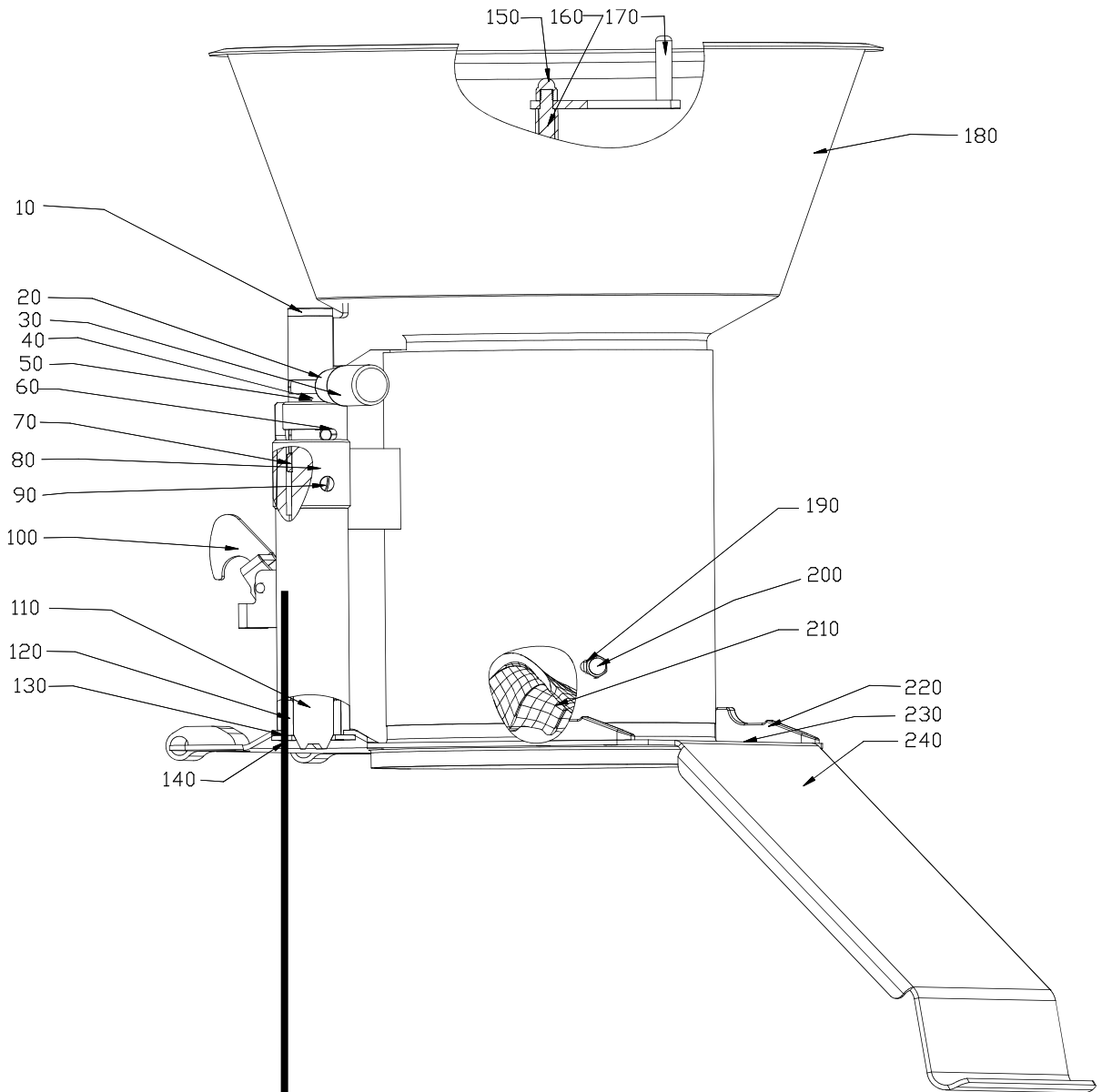


## RG-400i FEED CYLINDER B

No. on drawing	Item No.	Description	Pcs
30	37204	Manual feed cylinder RG400i	1
40	14326	Screw MCS M4X16	1
50	14004	Nut M6M M4 A2 70	1
60	37097	Slide knob	1
70	37149	Stopper complete	1
80	3253	Bayonet sleeve	1
90	14243	Screw MKFS M5X10	2
100	37162	Locking clutch complete	1
110	37243	Bushing	1
120	37151	Bushing holder complete	1
130	37507	T handle	1
140	37505	Locking house	1
150	37508	Spring	1
160	37506	Locking pin	1
170	14148	SCREW MFS M5X14	2
180	3233	Nut M5	2
190	14362	Screw MCS M6x8 A4	2
200	37512	Holder Marine	1
210	37022	Locking distance	2
220	14121	Screw MFS M4X6 A2 70	4



# RG-400i FEED HOPPER



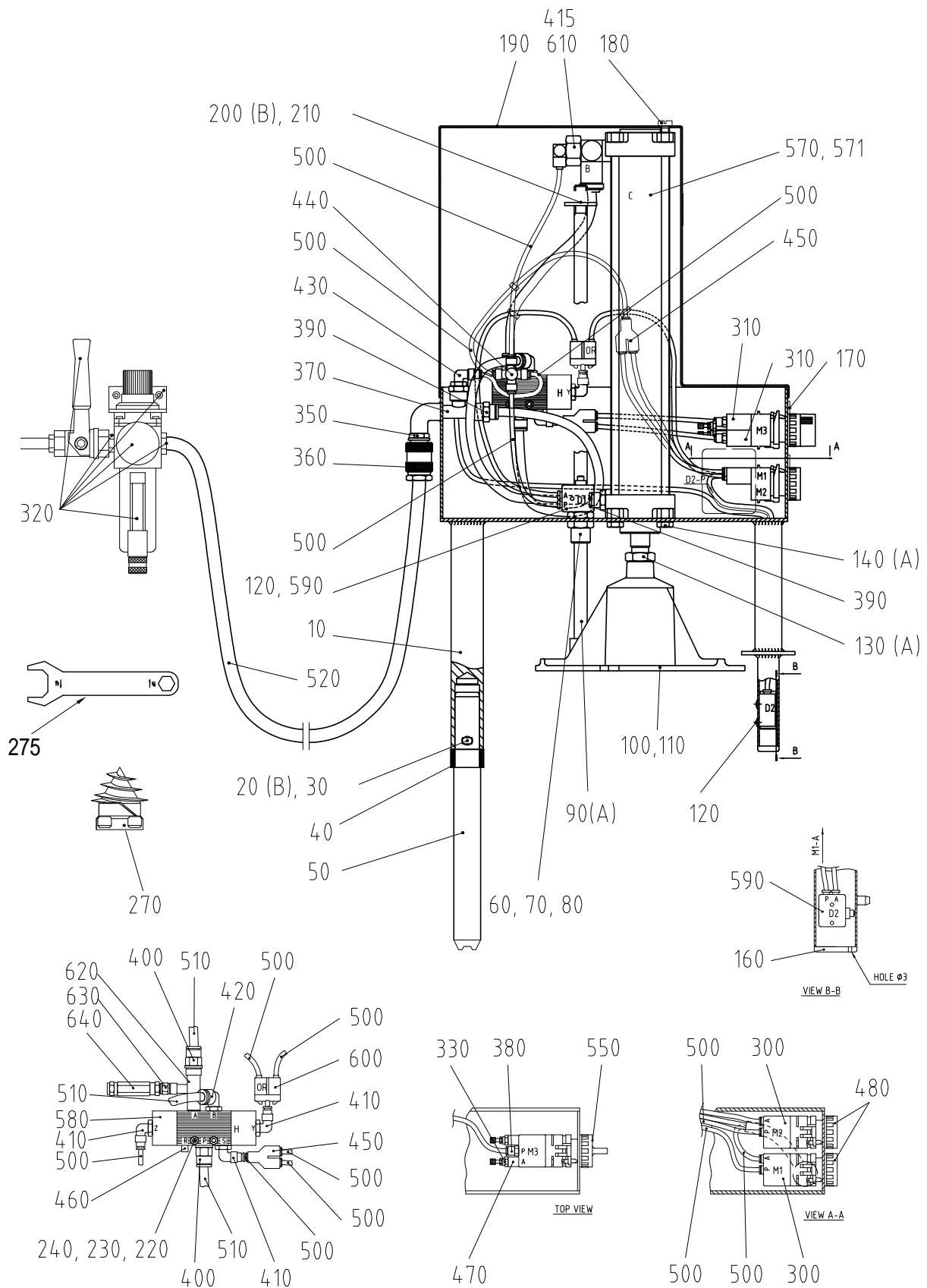
## RG-400i FEED HOPPER

No. on drawing	Item No.	Description	Pcs
10	10345	Plug GL 28 black	1
20	3149	Stud screw	1
30	10343	Handle I280/65-M8	1
40	10453	Spring 1X5X17	1
50	10454	Ball RB-6.35	1
60	3131	Bayonet pin	1
70	3266	Bushing	1
80	3253	Bayonet sleeve	1
90	14243	Screw MKFS M5X10	2
100	37162	Locking clutch complete	1
110	37226	Shaft w. bushing	1
120	37243	Bushing	1
130	37100	Bushing holder	1
140	14101	Screw	3
150	14028	Nut MHM M8	1
160	3246	Stirrer for hopper	1
170	3311	Agitator arm	1
180	33328	Hopper insert complete	1
190	14026	Domed head nut MHM M6	4
200	14865	Stud screw SK6SS A4	4
210	37081	Guide	2
220	37022	Locking distance	2
230	14121	Screw MFS M4X6 A2 70	4
240	37103	Feed cylinder for hopper RF	1
250	3249	Agitator device complete	1
260	10521	Socket wrench NV10	1
270	3162	Wrench	1
280	37507	T handle	1
290	37505	Locking house	1
300	37508	Spring	1
310	37506	Locking pin	1
320	37512	Holder Marine	1
330	14148	SCREW MFS M5X14	2
340	3233	Nut M5	2
350	14362	Screw MCS M6x8 A4	2



# RG-400i / RG-400 PNEUMATIC PUSH FEEDER

No. on drawing	Item No.	Description	Pcs
10	3098	Stand	1
20	3212	Pin for stand L=28	1
30	14149	Screw MFS M5X16	1
40	37244	Bushing	1
50	37160	Shaft stand	1



THREAD LOCKING COMPOUND: LOCTITE 577

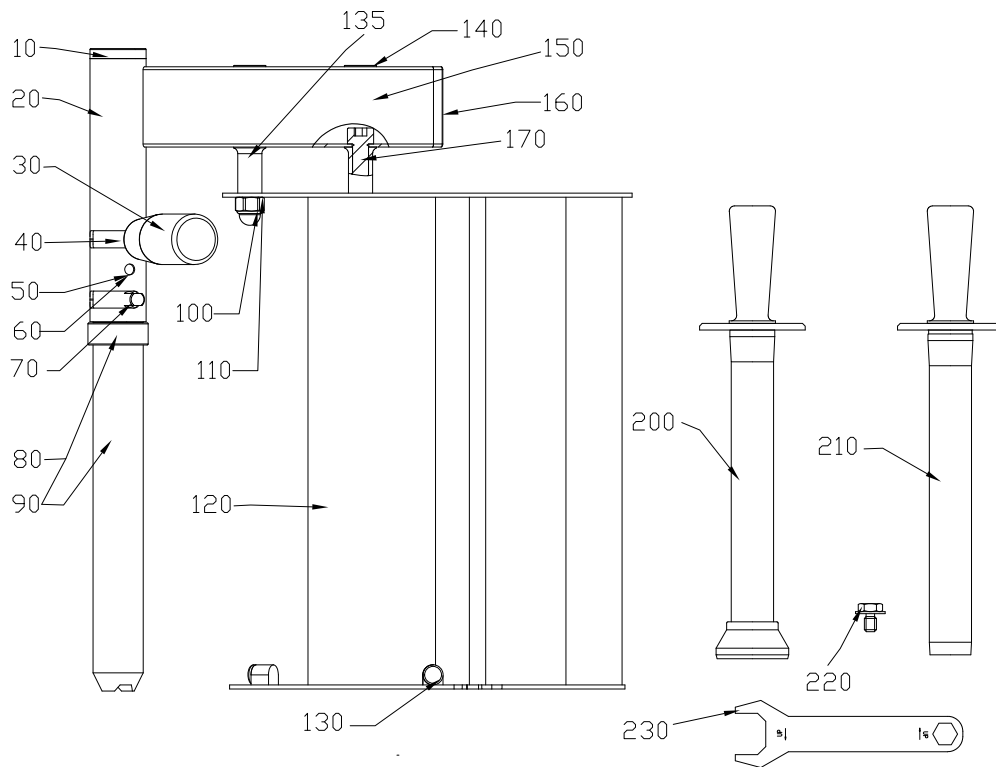
A: LOCTITE NO.242  
B: LOCTITE NO.243

## RG-400i / RG-400 PNEUMATIC PUSH FEEDER

No. on drawing	Item No.	Description	Pcs
60	3106	Bearing holder	1
70	10348	Bushing PM12/14X15DX	2
80	3101	Nut M18	1
90	3080	Operation rod	1
100	37040	Piston	1
110	3257	Guide knob	3
120	14224	Screw MKFS M4X12	4
130	3295	Nut M16X1,5 low	1
140	14542	Screw M6S M8X16H A2 70	4
160	10329	Plug IR20/40/1,5 S	1
170	10367	Sign 1-3-2	1
180	14374	Screw MCS M8X20 A2 70	1
190	3099	Cap	1
200	14012	Nut M6M M12	1
210	3105	Thrust washer	1
220	14230	Screw MKFS M4X30	2
230	14004	Nut M6M M4 A2 70	3
240	14084	Lock washer FBB 4.1 A2	2
270	3129	Decoring device 3ph	1
275	3162	Wrench	1
300	10109	Valve 234-000	2
310	10354	Valve 245 000	2
320	10392	Regulator Compl.	1
330	10356	Valve reduser MCO-702-M5	2
350	10112	Adaptor 5180 1/4	1
360	10357	Quick connector 5084-10/8	1
370	10120	Tee niple 1/4	1
380	10358	Coupling 6512-4-M5	2
390	10095	Coupling 6510-8-1/4	2
400	10359	Coupling 6510-8-1/8	2
410	10117	Elbow coupling 6520-4-1/8	3
415	10097	Elbow coupling 6520-4-1/8	1
420	10360	Elbow coupling 6520-8-1/8	1
430	10361	Elbow coupling 6520-4-1/4	1
440	10119	Cross coupling 6600-4	1
450	10362	Coupling Y 6560-4	2
460	10363	Silencer 2991-1/8	1
470	10364	Silencer 2905-M5	2
480	10492	Push button 200-895 start/stop	2
500	10234	Hose PA12 4-2.7	1
510	10235	Hose PUR-8/5.7	1
520	10368	Hose PV10/8	1
550	10493	Twist knob speed control	1
570	10490	Cylinder complete	1
571	33311	Gasket kit for cylinder	1
580	10352	Valve 358-033-1/8	1
590	10108	Valve 234-945	2
600	10353	Valve or 81540 001	1
610	10240	Valve 7880-08-13	1
620	10546	T-coupling	1
630	10547	Reduce	1
640	10548	Gauge	1

## RG-400i 4-TUBE INSERT

No. on drawing	Item No.	Description	Pcs
10	10345	Plug GL 28 black	1
20	3254	Stand	1
30	3149	Stud screw	1
40	10343	Handle I280/65-M8	1
50	10454	Ball RB-6.35	1
60	10453	Spring 1X5X17	1
70	3131	Bayonet pin	1
80	37137	Bushing	1
90	37139	Shaft w. bushing M99	1
100	14028	Nut MHM M8	2
110	14088	Lock washer FBB 8.2 A2	2
120	37064	4-tube insert	1
130	3257	Guide knob	3
135	37138	Spacer 16	2
140	10455	Plug IKPT 1715S	2
150	3279	Sign warning	1
160	10329	Plug IR20/40/1,5 S	1
170	14394	Screw MC6S M8X40	2
200	3139	Pestle dia. 55	1
210	3138	Pestle dia. 31	1
220	3204	Locking bolt TR12V	1
230	3162	Wrench	0



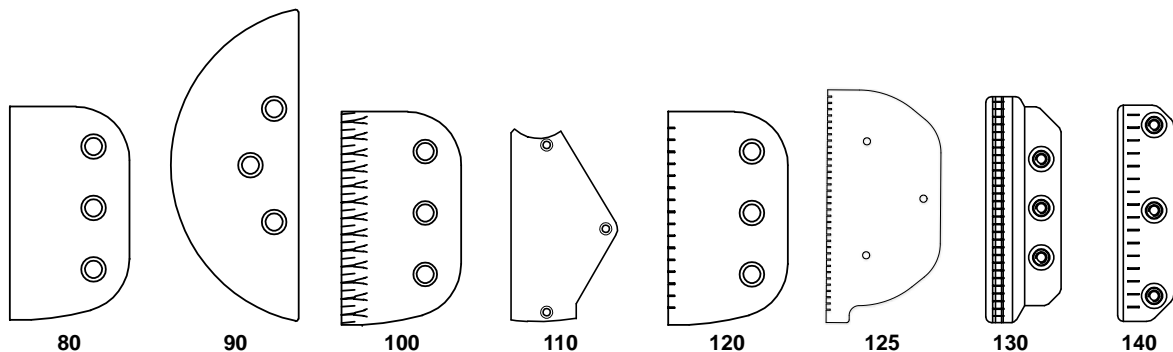


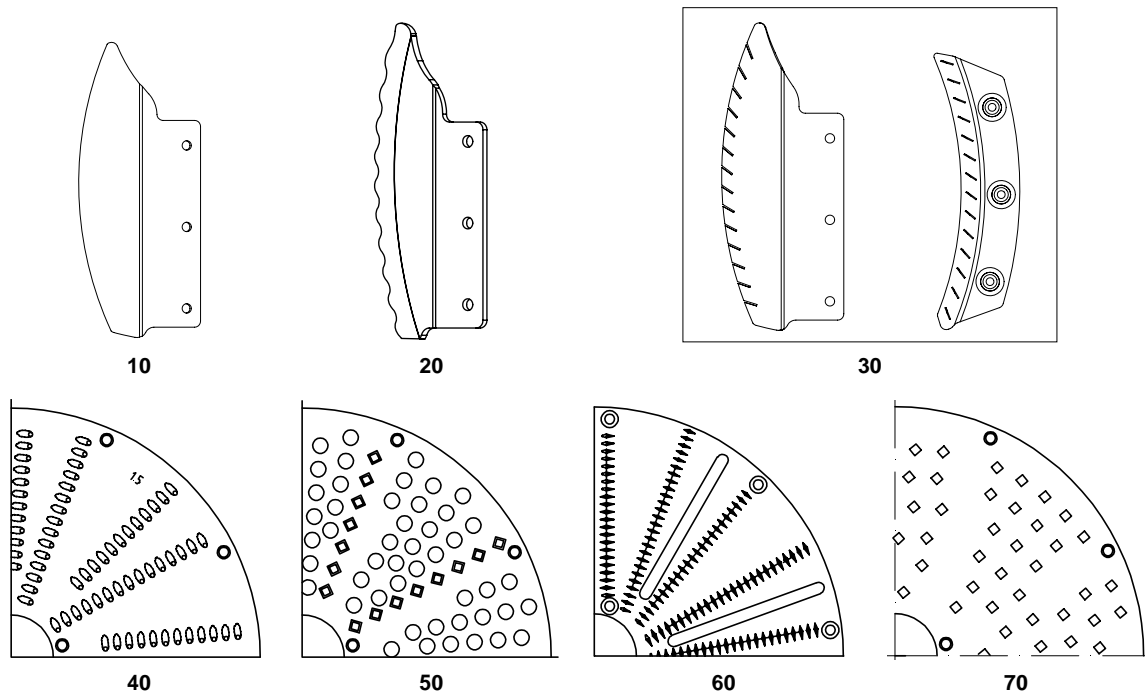
## SPARE PARTS CUTTING TOOLS FOR RG-350/RG-400/RG-300i AND RG-400i

Cutting Tool	No. on drawing	Item No.	Description
<b>Slicer</b>	10	63302	Knife, Slicer
<b>Crimping Slicer</b>	20	63300	Knife, Crimping Slicer
<b>Julienne Cutter</b>	30	63336	Kit spare part Julienne 2x2mm
		63356	Kit spare part Julienne 2x6mm
		63358	Kit spare part Julienne 3x3 mm
		63337	Kit spare part Julienne 4x4mm
		63338	Kit spare part Julienne 6x6mm
		63339	Kit spare part Julienne 8x8mm
		63335	Kit spare part Julienne 10x10m
<b>Grater/Shredder</b>	40	87128	Plate for 1.5 mm, Grater
		87129	Plate for 2 mm, Grater
		87130	Plate for 3 mm, Grater
		87131	Plate for 4.5 mm, Grater
		87132	Plate for 6 mm, Grater
		87133	Plate for 8 mm, Grater
		87134	Plate for 10 mm, Grater
<b>Fine Grater</b>	50	87135	Plate, Fine Grater
	60	87136	Plate, Grater Extra Fine
	70	87137	Plate, Hard Cheese Grater

## SPARE PARTS CUTTING TOOLS FOR RG-350/RG-400/RG-300i AND RG-400i

Cutting Tool	No. on drawing	Item No.	Description	
<b>Standard Slicer / HC Slicer</b>	80	87138	Knife, Standard Slicer	
<b>Fine Cut Slicer</b>	90	87139	Knife, Fine Cut Slicer	
<b>Crimping Slicer</b>	100	87140	Knife, Crimping Slicer	
<b>Soft Slicer</b>	110	87141	Knife, Soft Slicer	
<b>Julienne Cutter</b>	130	87142	Kit Knife block, 2.5x2.5 mm	
		87143	Kit Knife block, 2.5x6 mm	
<b>Julienne Cutter / HC Julienne Cutter</b>	80	87138	Knife, Standard Slicer	
		120	87157	Horizontal knife, 2x6 mm
			87145	Horizontal knife, 4x4 mm
			87146	Horizontal knife, 6x6 mm
			87147	Horizontal knife, 10x10 mm
	125	87156	Horizontal knife, 2x2 mm	
		87159	Horizontal knife, 2x6 mm	
	130	87142	Kit Knife block, 2.5x2.5 mm	
		87143	Kit Knife block, 2.5x6 mm	
		87148	Kit knife block, 2x2 mm	
		87158	Knife block, 2x6 mm	
	140	87149	Kit Knife block, 4x4 mm	
		87150	Kit Knife block, 6x6 mm	
		87151	Kit Knife block, 10x10 mm	
	<b>HC Julienne Cutter</b>	120	87152	Horizontal knife, 2x2 mm
87155			Horizontal knife, 2.5x2.5 mm	
87153			Horizontal knife, 8x8 mm	
140		87154	Kit Knife block, 8x8 mm	





## SPARE PARTS POTATO CHIP GRID AND DICING GRIDS FOR RG-350/RG-400/RG-300i AND RG-400i

Cutting Tool	No. on drawing	Item No.	Description
<b>Potato Chip Grid</b>	150	35734	Compl. knife kit Potato Chip Grid
<b>Center ring</b>	160	62743	Center ring
<b>Ceramic kit for RG-400i</b>	170	37252	Ceramic kit
<b>Complete knife kit for Dicing Grids</b>	180	62431	Compl. kit knives, DG 6 mm
		62432	Compl. kit knives, DG 8 mm
		62433	Compl. kit knives, DG 10 mm
		62434	Compl. kit knives, DG 12 mm
		62435	Compl. kit knives, DG 15 mm
		62436	Compl. kit knives, DG 20 mm
		62437	Compl. kit knives, DG 25 mm
<b>1 meter knife blade for Dicing Grids</b>	190	82331	Knife blade, upper 6 mm, 1 M
		82332	Knife blade, lower 6 mm, 1 M
		82333	Knife blade, upper 8 mm, 1 M
		82334	Knife blade, lower 8 mm, 1 M
		82335	Knife blade, upper 10 mm, 1 M
		82336	Knife blade, lower 10 mm, 1 M
		82337	Knife blade, upper 12 mm, 1 M
		82338	Knife blade, lower 12 mm, 1 M
		82339	Knife blade, upper 15 mm, 1 M
		82340	Knife blade, lower 15 mm, 1 M
		82341	Knife blade, upper 20 mm, 1 M
		82342	Knife blade, lower 20 mm, 1 M
82343	Knife blade, upper 25 mm, 1 M		
82344	Knife blade, lower 25 mm, 1 M		
<b>Tool for inner lock ring</b>	200	62449	Tool for inner lock ring

