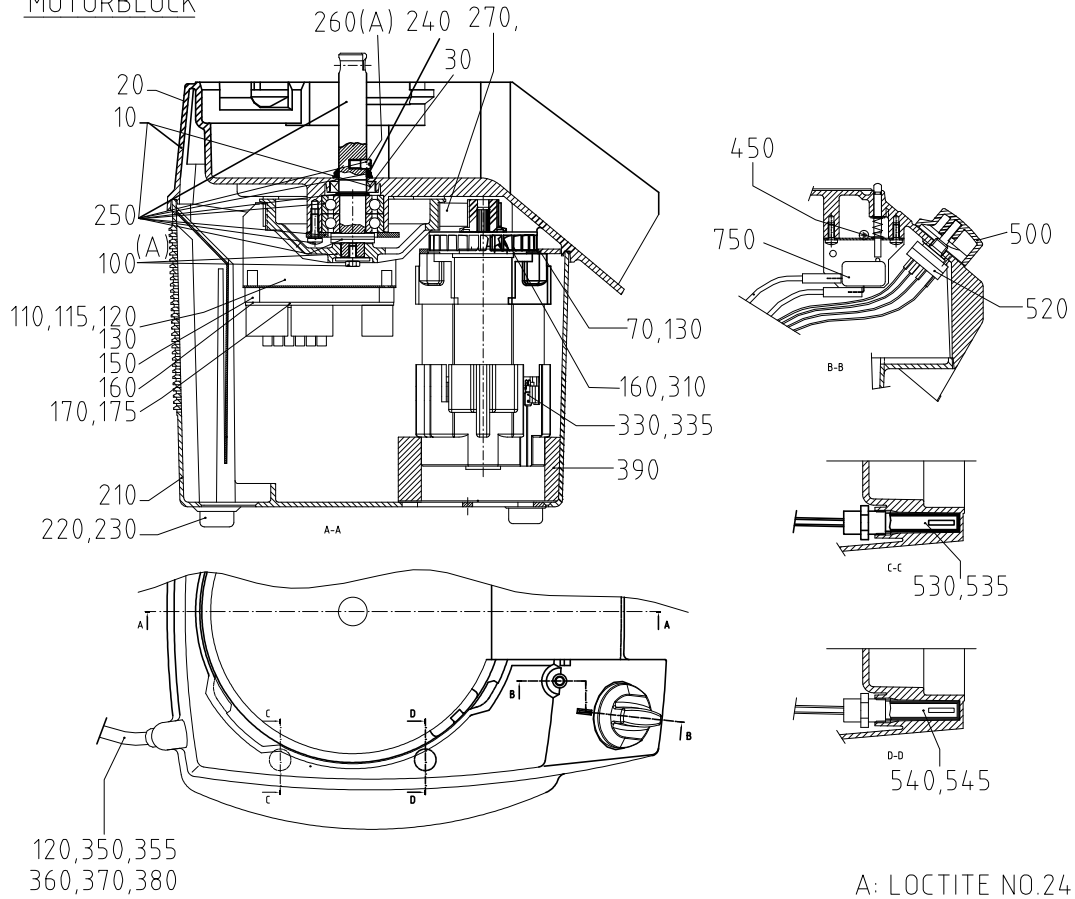
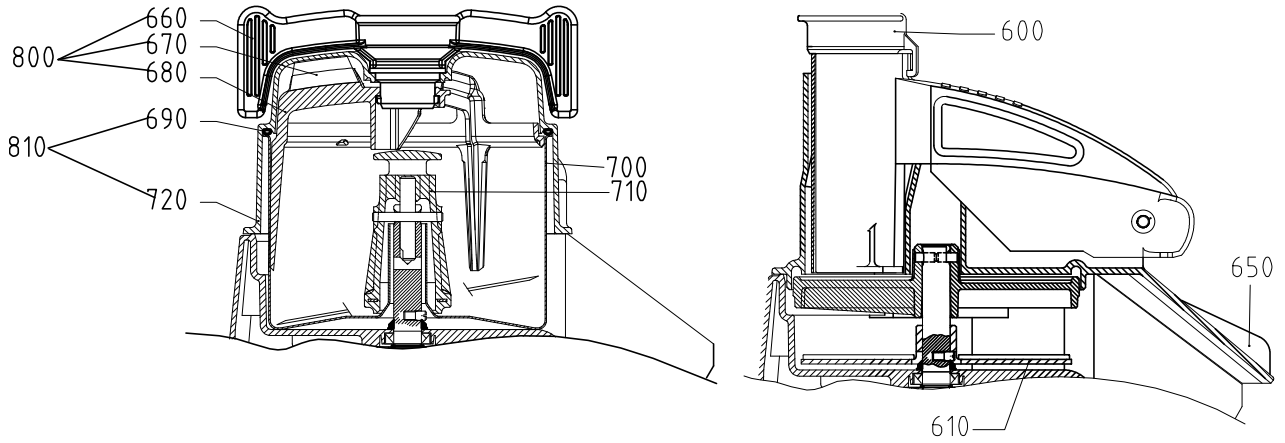


MOTOR BASE
MOTORBLOCK



CUTTER/MIXER BOWL ATTACHMENT
SNABBHACKS-TILLSATS

VEGETABLE PREPARATION ATTACHMENT
GRÖNSAKSSKARAR-TILLSATS



CC-32S

No. on drawing	Item No.	Description	Pcs
10	1414	Housing, top inkl knife shaft	1
30	10259	Rubber seal washer 18X30X7	1
70	14344	Screw M5X12	4
100	1411	Pulley, knife shaft compl.	1
110	24293	El.-plate, AM	1
115	24268	El-plate, UL	1
120	14851	Screw MRT M4X10 A2	5
130	14084	Lock washer FBB 4.1 A2	1
150	15527	Bracket for PC-board AVC BS-9A	4
160	14753	Screw RT-PTF 5.0X20FZ	4
170	24343	PC-board CC 230 1 50	1
175	24344	PC-board CC 110v,60	1
210	24340	Housing, base	1
220	10494	Rubber foot F-107 B	4
230	14333	Screw MRX-H M4X12 A2 70	4
240	10263	Seal ring V-18A	1
250	1415	Knife shaft compl.	1
260	24146	Pin, knife shaft	1
270	10679	Belt GT 3MR 0408 18	1
310	24292	Bracket, motor AM	1
330	15711	Motor 220-240 1 50/60	1
335	24179	Motor unit 110-120 1 50/60 UL	1
350	15149	Supply cord CB 1 phase CC-34/VCB-32/RG-50	1
355	24211	Supply cord 120v US	1
360	10589	Strain relief clamp 55-016-89	1
370	14336	Screw MRT-H M4X25 A2 70	2
380	15422	Cable support NK-5N	1
390	24296	Seal ring, fan	1
450	1413	Activator pin, safety switch	1
500	24222	Knob 0-1 w. blade spring	1
520	24295	Rotary switch, CC-32-1	1
530	24278	Magnetic switch,safety	1
535	24332	Magnetic switch, safety AM UL	1
540	24274	Magnetic switch,speed-control	1
545	24333	Magnetic switch, speed control	1
600	24157	Pestle	1
610	83032	Ejector plate	1
650	24634	Feed head	1
660	24134	Scraper handle	1
670	24132	Scraper blade	3
680	24135	Scraper ring	1
690	24133	Seal ring dia.5	1
700	24151	Bowl 3L	1
710	24153	Knife unit	1
720	24172	Lid	1
750	24335	Micro switch unit compl AM UL	1
800	24244	Scraper assy	1
810	24245	Lid incl. seal ring	1