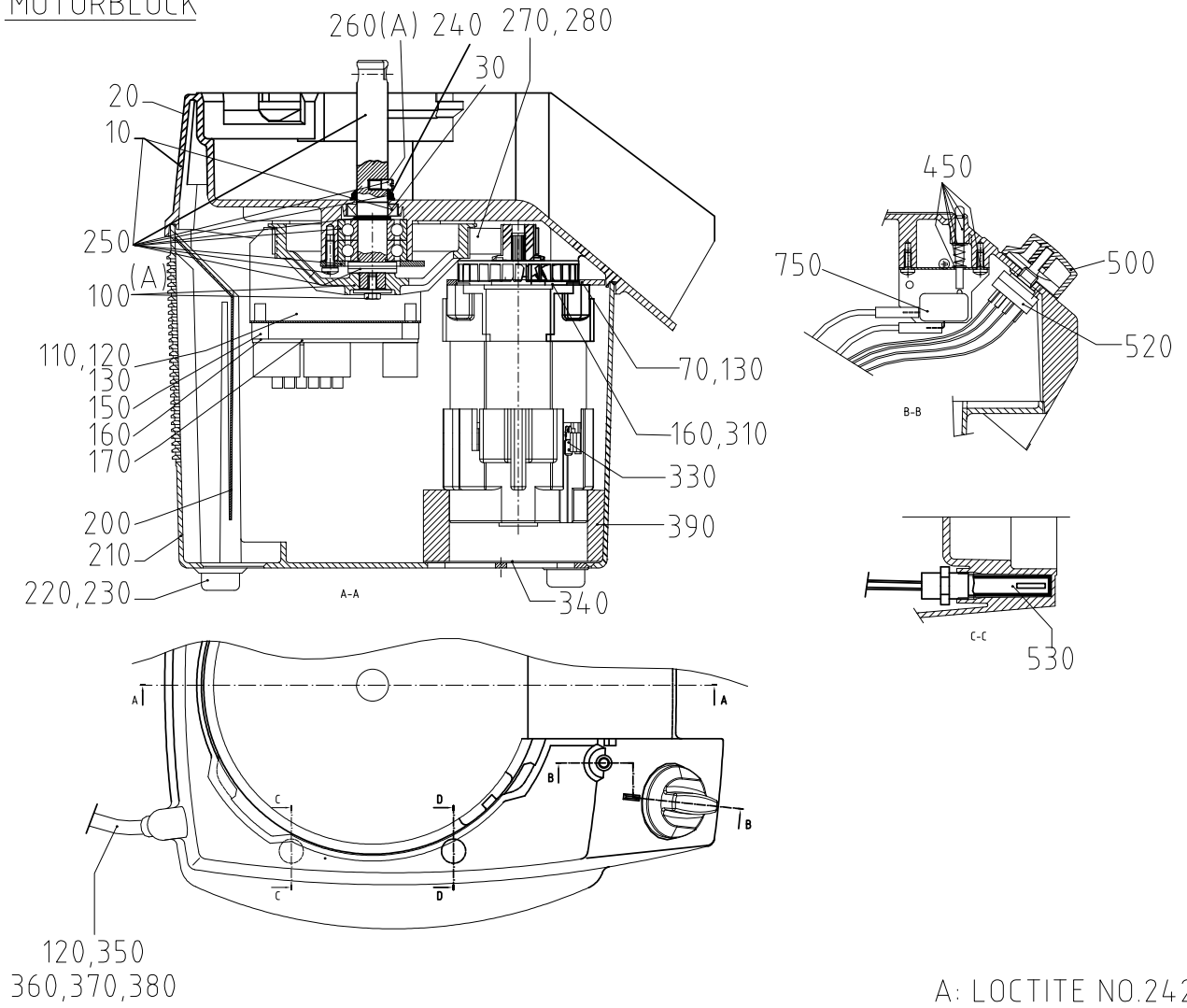


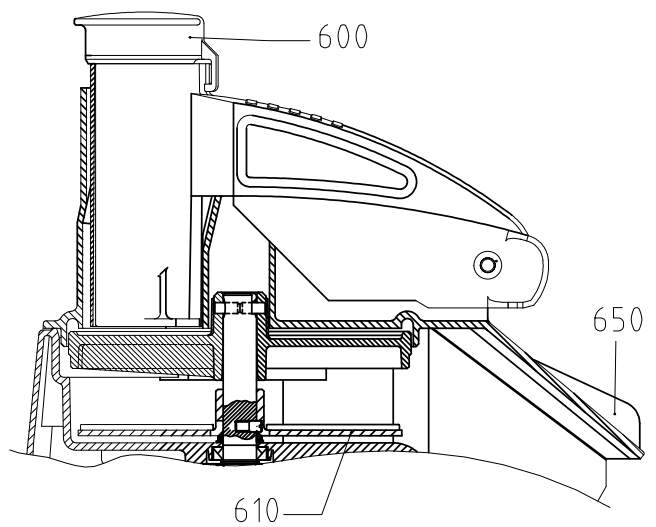
RG-50-1

MOTOR BASE
MOTORBLOCK



A: LOCTITE NO.242

VEGETABLE PREPARATION ATTACHMENT
GRÖNSAKSSKARAR-TILLSATS

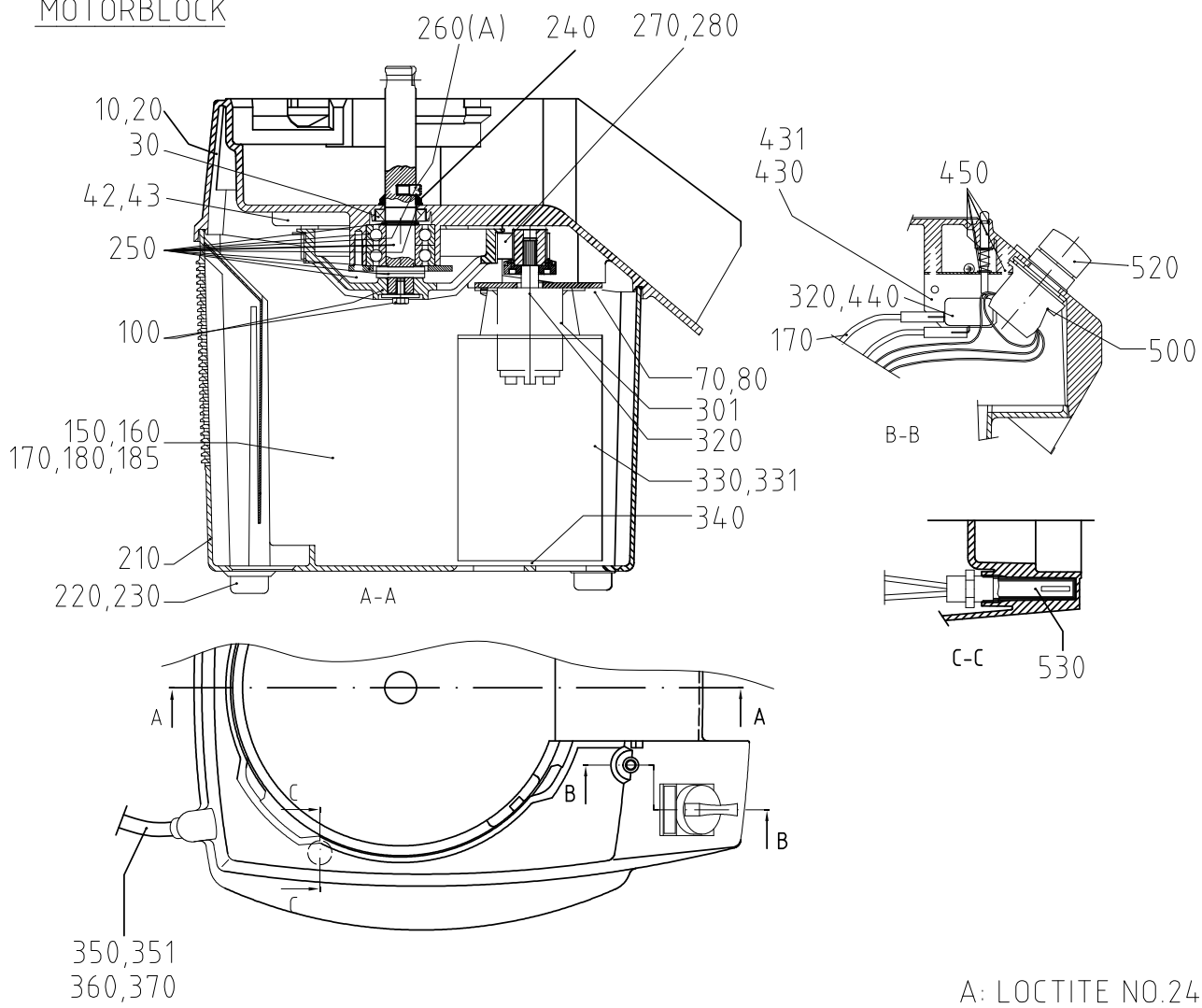


RG-50-1

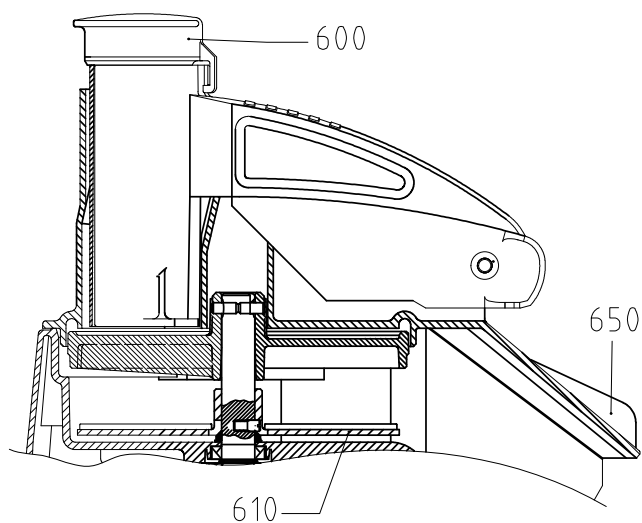
No. on drawing	Item No.	Description	Pcs
10	1412	Housing, top inkl knife shaft	1
30	10259	Rubber seal washer 18X30X7	1
70	14344	Screw M5X12	4
100	1411	Pulley,knife shaft compl.	1
110	24293	El.-plate, AM	1
120	14851	Screw MRT M4X10 A2	5
130	14084	Lock washer FBB 4.1 A2	1
150	15527	Bracket for PC-board AVC BS-9A	4
160	14753	Screw RT-PTF 5.0X20FZ	4
170	24343	PC-board CC 230 1 50	1
200	24176	Protection plate	1
210	24340	Housing, base	1
220	10494	Rubber foot F-107 B	4
230	14333	Screw MRX-H M4X12 A2 70	4
240	10263	Seal ring V-18A	1
250	1415	Knife shaft compl.	1
260	24146	Pin, knife shaft	1
270	10679	Belt GT 3MR 0408 18	1
280	24291	Pulley wheel	1
310	24292	Bracket, motor AM	1
330	15711	Motor 220-240 1 50/60	1
340	24300	Net	1
350	15149	Supply cord CB 1 phase CC-34/VCB-32/RG-50	1
360	10589	Strain relief clamp 55-016-89	1
370	14336	Screw MRT-H M4X25 A2 70	2
380	15422	Cable support NK-5N	1
390	24296	Seal ring, fan	1
450	1413	Activator pin, safety switch	1
500	24222	Knob 0-1 w. blade spring	1
520	24295	Rotary switch, CC-32-1	1
530	24278	Magnetic switch,safety	1
600	24157	Pestle	1
610	83032	Ejector plate	1
650	24634	Feed head	1
750	24335	Micro switch unit compl AM UL	1

RG-50

MOTOR BASE
MOTORBLOCK



VEGETABLE PREPARATION ATTACHMENT
GRÖNSAKSSKARAR-TILLSATS



RG-50

No. on drawing	Item No.	Description	Pcs
10	24751	Housing, top	1
30	10259	Rubber seal washer 18X30X7	1
42	15384	Fuse T100MA	1
43	15385	Fuse holder	1
70	14344	Screw M5X12	4
80	14852	Screw FRH M5X10 torx	4
100	1411	Pulley, knife shaft compl.	1
150	1110	Cable AWG L=130	1
160	24766	Cable AWG L=290	2
170	24767	Cable AWG L=290	1
180	24768	Cable AWG L=130	1
185	24769	Cable AWG L=220	1
210	24340	Housing, base	1
220	10494	Rubber foot F-107 B	4
230	14333	Screw MRX-H M4X12 A2 70	4
240	10263	Seal ring V-18A	1
250	1415	Knife shaft compl.	1
260	24146	Pin, knife shaft	1
270	10624	Belt power GRIP 3MR 0390	1
280	24773	Pulley wheel complete	1
301	15707	Relay song chuan 735 3A C3 120	1
320	14611	Screw RTK ST2.9X9.5 A2 70	3
330	24753	Motor unit 110-120v 1 60 HZ	1
331	24754	Motor unit 230v 1 50HZ	1
340	24300	Net	1
350	24778	Supply cord 120v US	1
351	15149	Supply cord CB 1 phase CC-34/VCB-32/RG-50	1
360	10589	Strain relief clamp 55-016-89	2
370	14336	Screw MRT-H M4X25 A2 70	2
430	24162	Bracket, safety switch	1
431	23227	Insulating barrier for switch	1
440	15694	Micro switch 83 160 7-N/C W3	1
450	1413	Activator pin, safety switch	1
500	15704	Contact block	1
520	15705	Knob 0/1	1
530	15354	Magnetic switch HM-S-16	1
600	24157	Pestle	1
610	83032	Ejector plate	1
650	24634	Feed head	1