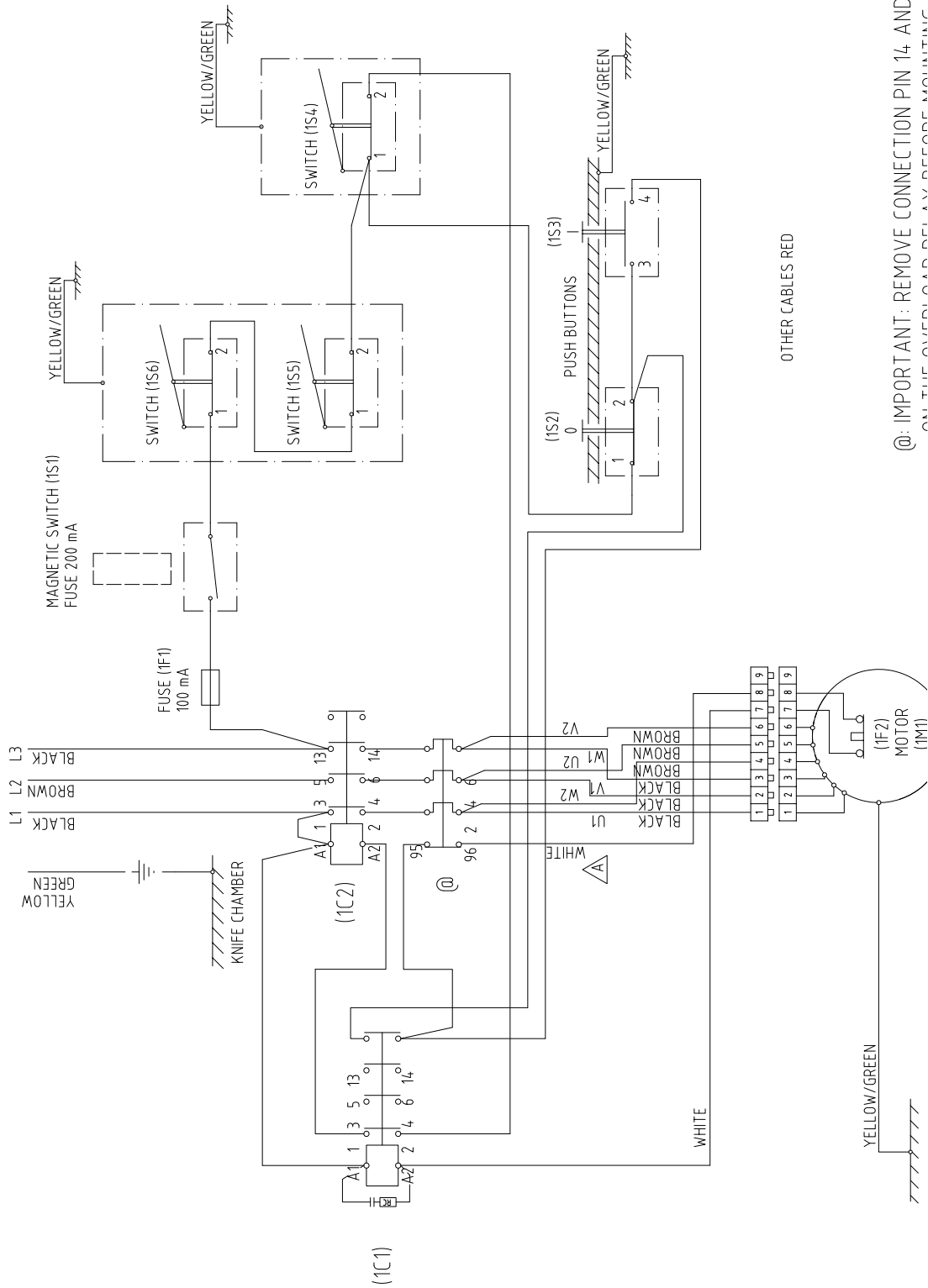


Ltr	No	Revision	Date	Dwn.by	Appr.	Ch.0.
A	1	COLOURS CHANGED	950307	UEn	JSt	765



OTHER CABLES RED

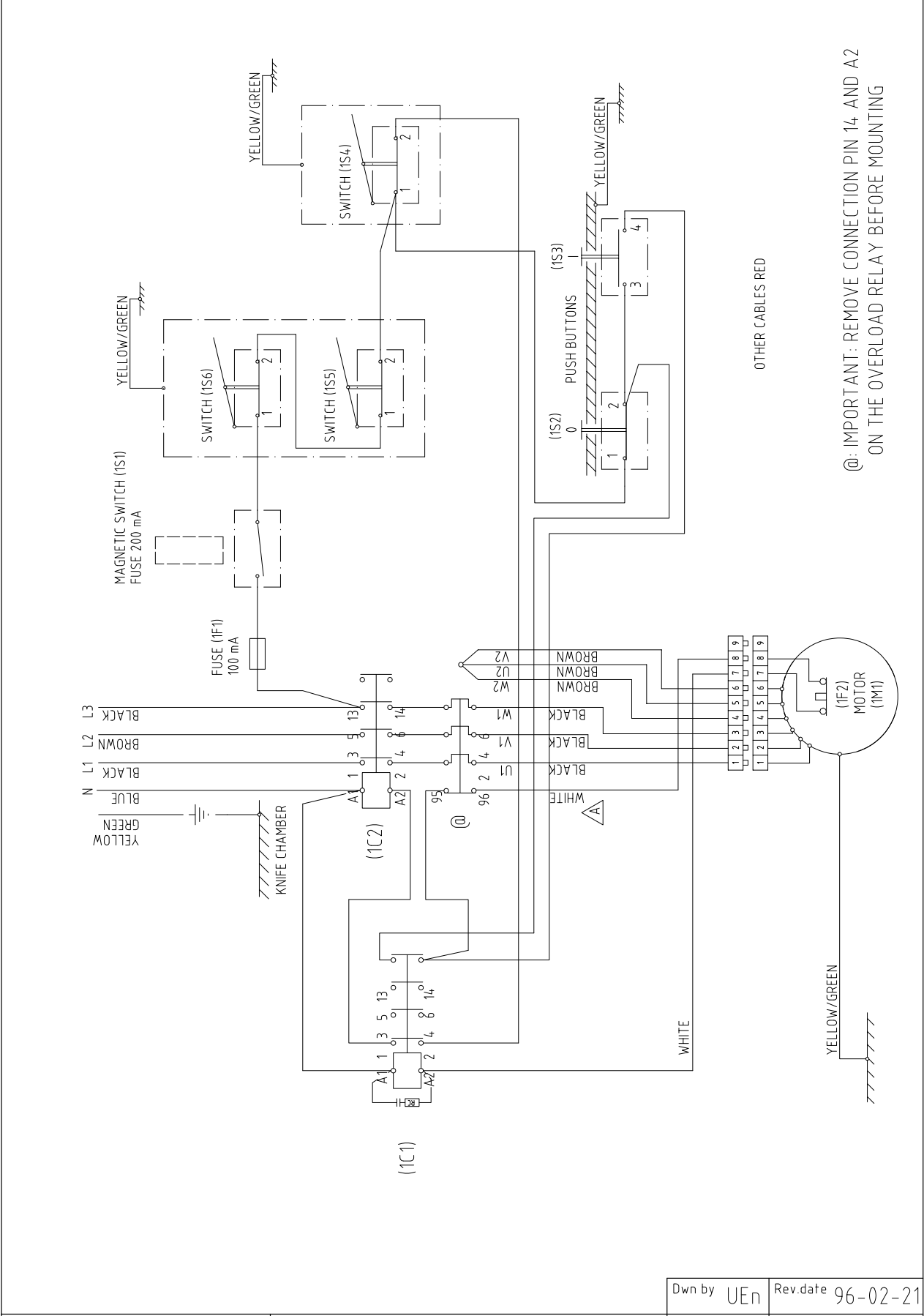
@: IMPORTANT: REMOVE CONNECTION PIN 14 AND A2
ON THE SUPER CARD BEFORE MOUNTING



RG-350 ELECTR. DIAGRAM
220-230 3 50/60 W/O NEUTRAL WIRE

Dwn by	UEn	Rev.date	96-07
Appr.	JSt	Date	94-11
Drawing no.	40698/A		

Ltr	No	Revision	Date	Dwn.by	Appr.	Ch.O. No
A	1	COLOURS CHANGED	950307	UEn	JSt	765

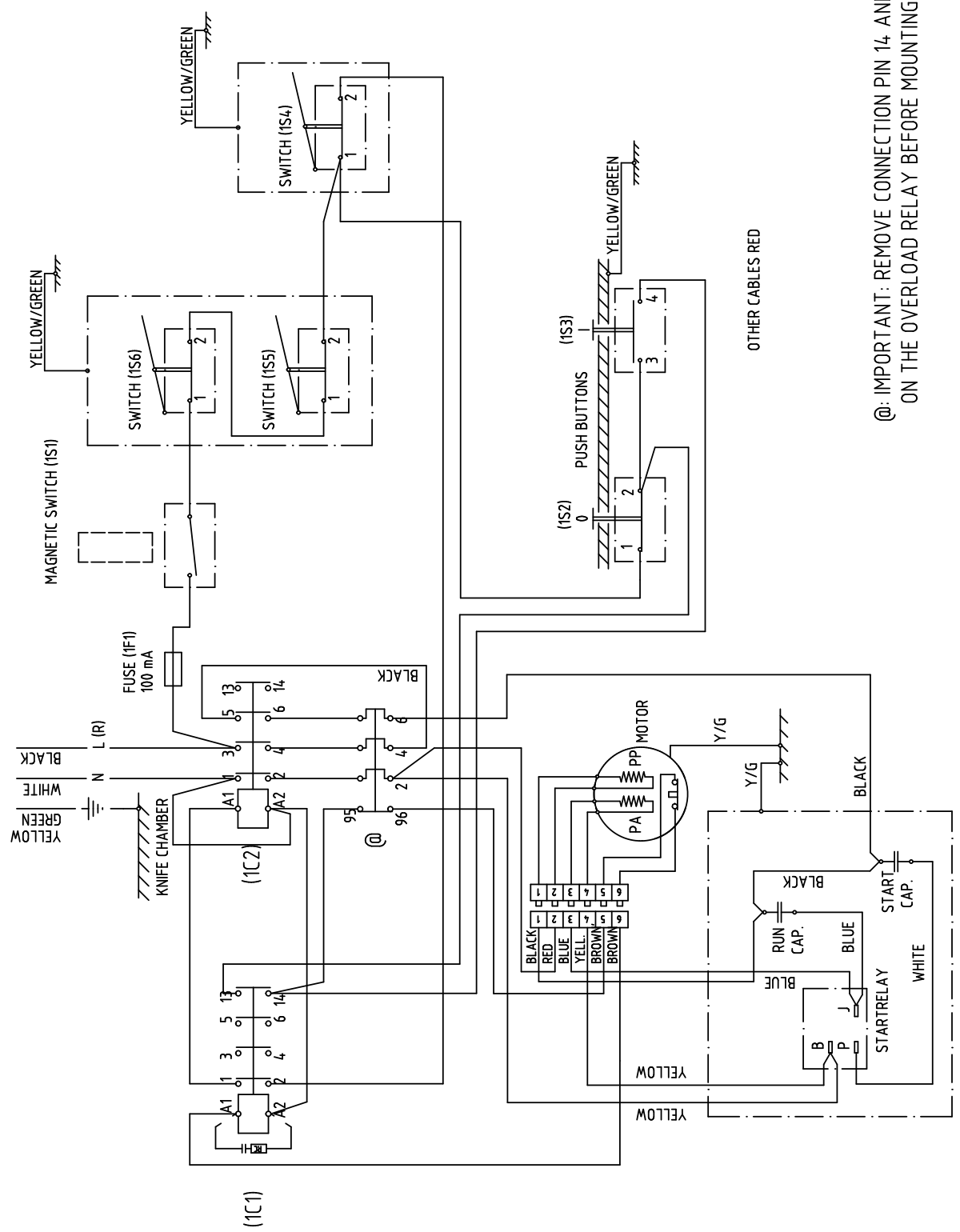


OTHER CABLES RED

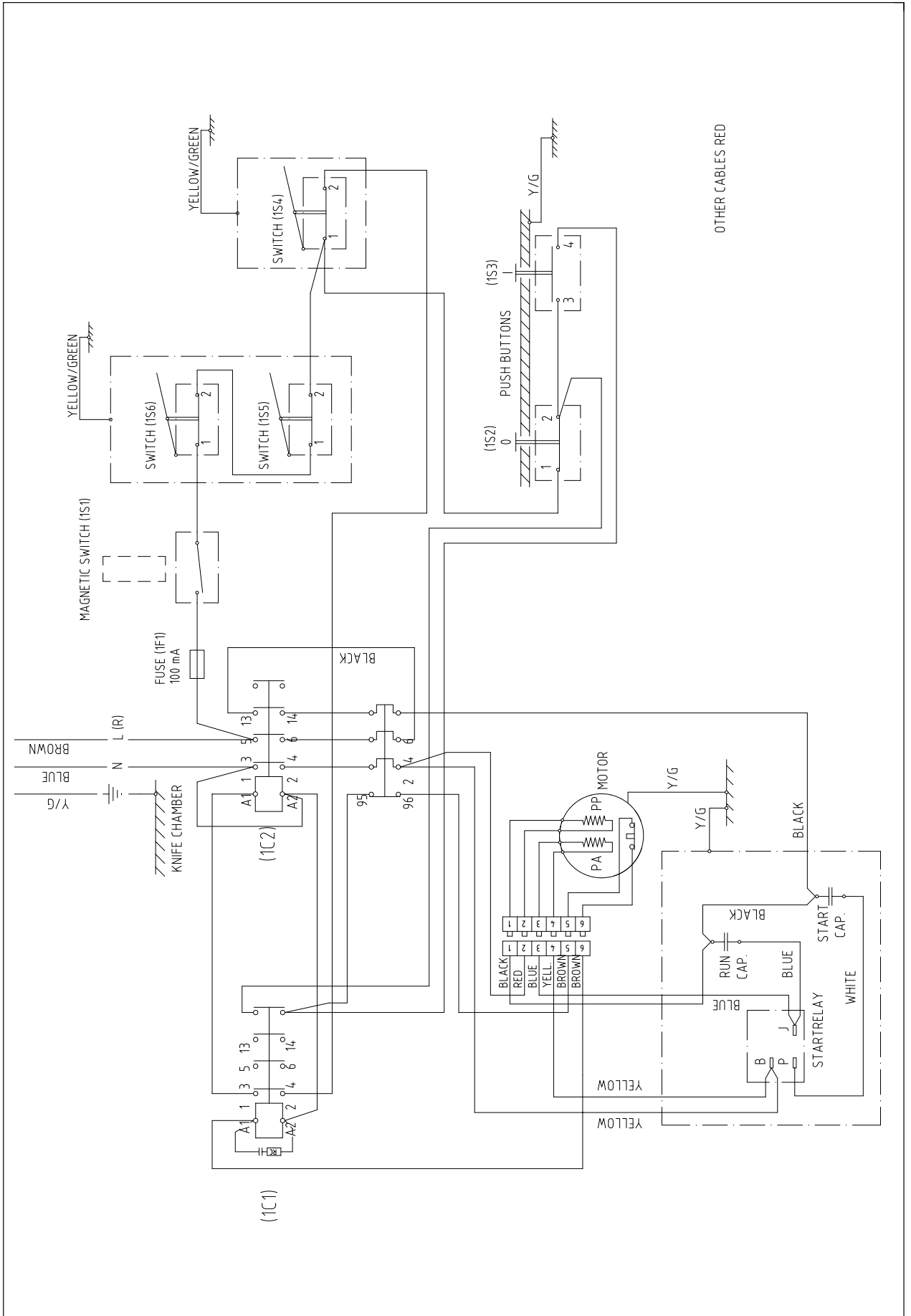
@: IMPORTANT: REMOVE CONNECTION PIN 14 AND A2 ON THE OVERLOAD RELAY BEFORE MOUNTING

	RG-350 ELECTR. DIAGRAM 380-415 3 50 W. NEUTRAL WIRE		Dwn by	UEn	Rev.date	96-02-21
			Appr.	JSt	Date	94-11-17
			Drawing no.	40699/A		

Dwn by UEn	Rev. date 96-02-21
Appr. JSt	Date 94-12-19
Drawing no.	40739



@: IMPORTANT: REMOVE CONNECTION PIN 14 AND A2
ON THE OVERLOAD RELAY BEFORE MOUNTING



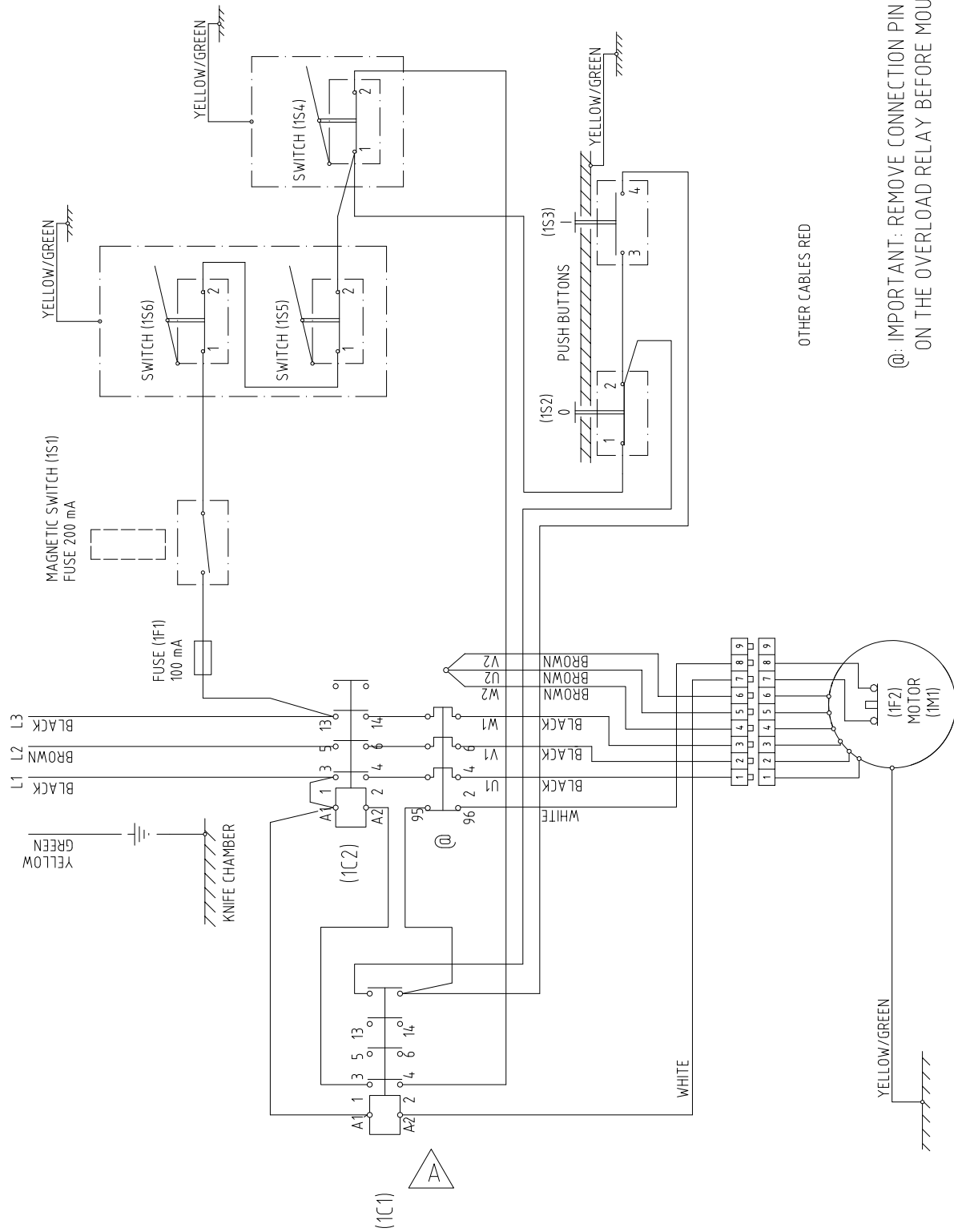
OTHER CABLES RED

HALLDE

RG-350, ELECTR. DIAGRAM
110-120 150/60, LS-RELAY

Dwn by UEn	Rev.date 96-01-05
Appr. JSt	Date 94-12-19
Drawing no.	40740

Ltr	No	Revision	Date	Dwn.by	Appr.	Ch.O. No
A	1	RC-UNIT REMOVED	961202	UE _n	JSt	961



OTHER CABLES RED

@: IMPORTANT: REMOVE CONNECTION PIN 14 AND A2 ON THE OVERLOAD RELAY BEFORE MOUNTING

Dwn by	UE _n	Rev.date	96-02-21
Appr.	JSt	Date	95-05-18
Drawing no.	40784/A		

HALLDE

RG-350, ELECTR. DIAGRAM
380-460 3 50/60 W/O NEUTRAL WIRE