

VARISTOR CONNECTED BETWEEN C1:1 AND C2:13

Ⓜ: IMPORTANT: REMOVE CONNECTION PIN 14 AND A2 ON THE OVERLOAD RELAY BEFORE MOUNTING

Ⓢ: CONNECT TO THE TERMINAL BLOCK SAME AS THE SUPPLY VOLTAGE

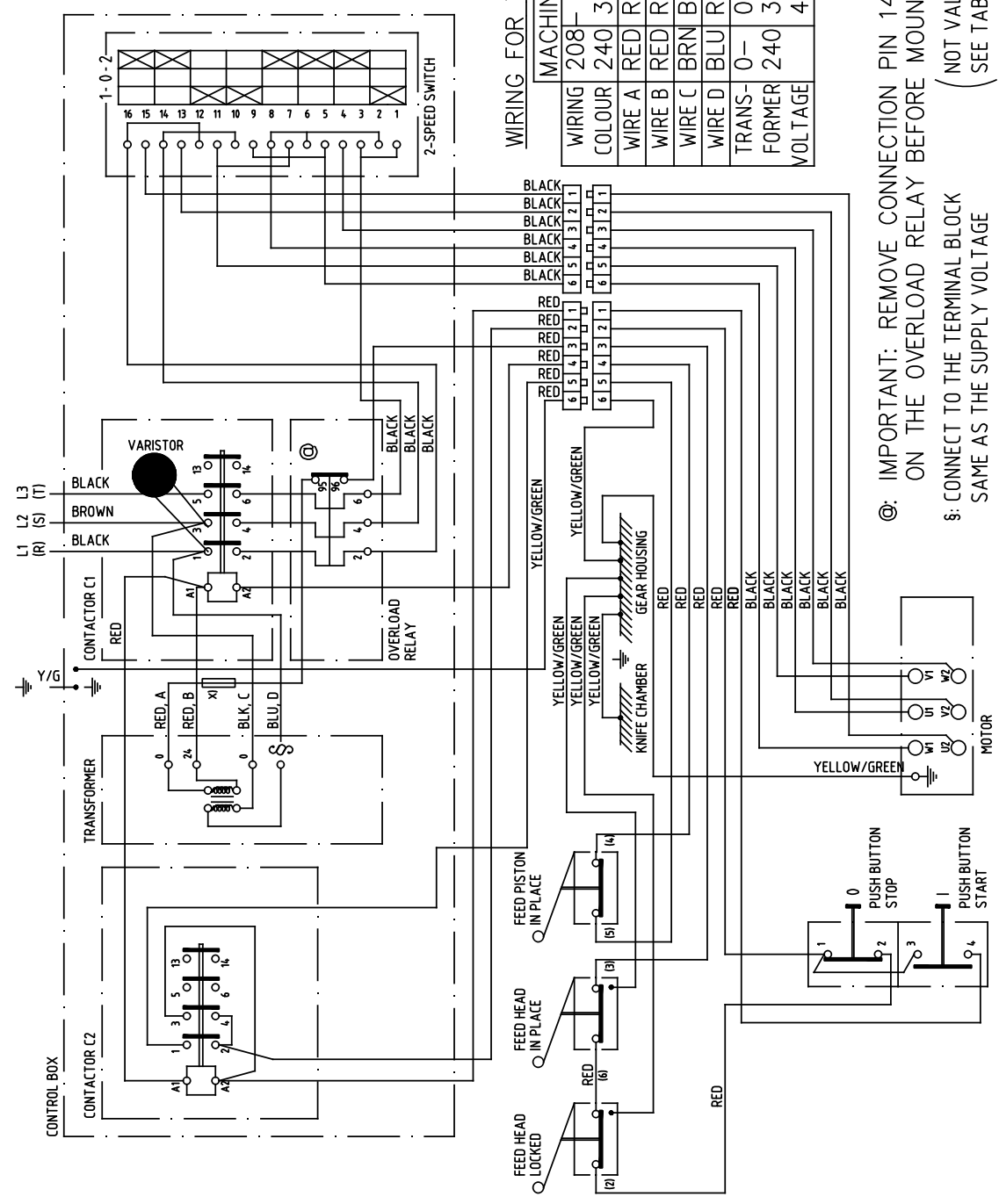
(NOT VALID FOR TOROID TRANSFORMERS) (SEE TABLE ABOVE)

HALLDE

RG-400/400i
Electrical Diagram
380-440 3 50/60 WITH NEUTRAL WIRE

Dwn by UEn	Rev. date 060131
Appr. JSt	Date 940901
Drawing no. 3163-2	

Dwn by RS	Rev.date
Appr. Jst	Date 020814
Drawing no.	3163-6



WIRING FOR TOROID TRANSFORMATORS

WIRING	208-	380	400	415	(460)
COLOUR	RED	RED	RED	RED	RED
WIRE A	RED	RED	RED	RED	RED
WIRE B	RED	RED	RED	RED	RED
WIRE C	BRN	BLK	BLK	BLK	BLK
WIRE D	BLU	RED	BLU	RED	BLU
TRANS-	0-	0-	0-	0-	0-
FORMER	240	380	380	415	415
VOLTAGE	400	400	400	440	440

Ⓢ: IMPORTANT: REMOVE CONNECTION PIN 14 AND A2 ON THE OVERLOAD RELAY BEFORE MOUNTING

Ⓢ: CONNECT TO THE TERMINAL BLOCK SAME AS THE SUPPLY VOLTAGE (NOT VALID FOR TOROID TRANSFORMERS) (SEE TABLE ABOVE)

x) FUSE 2,5A 250V