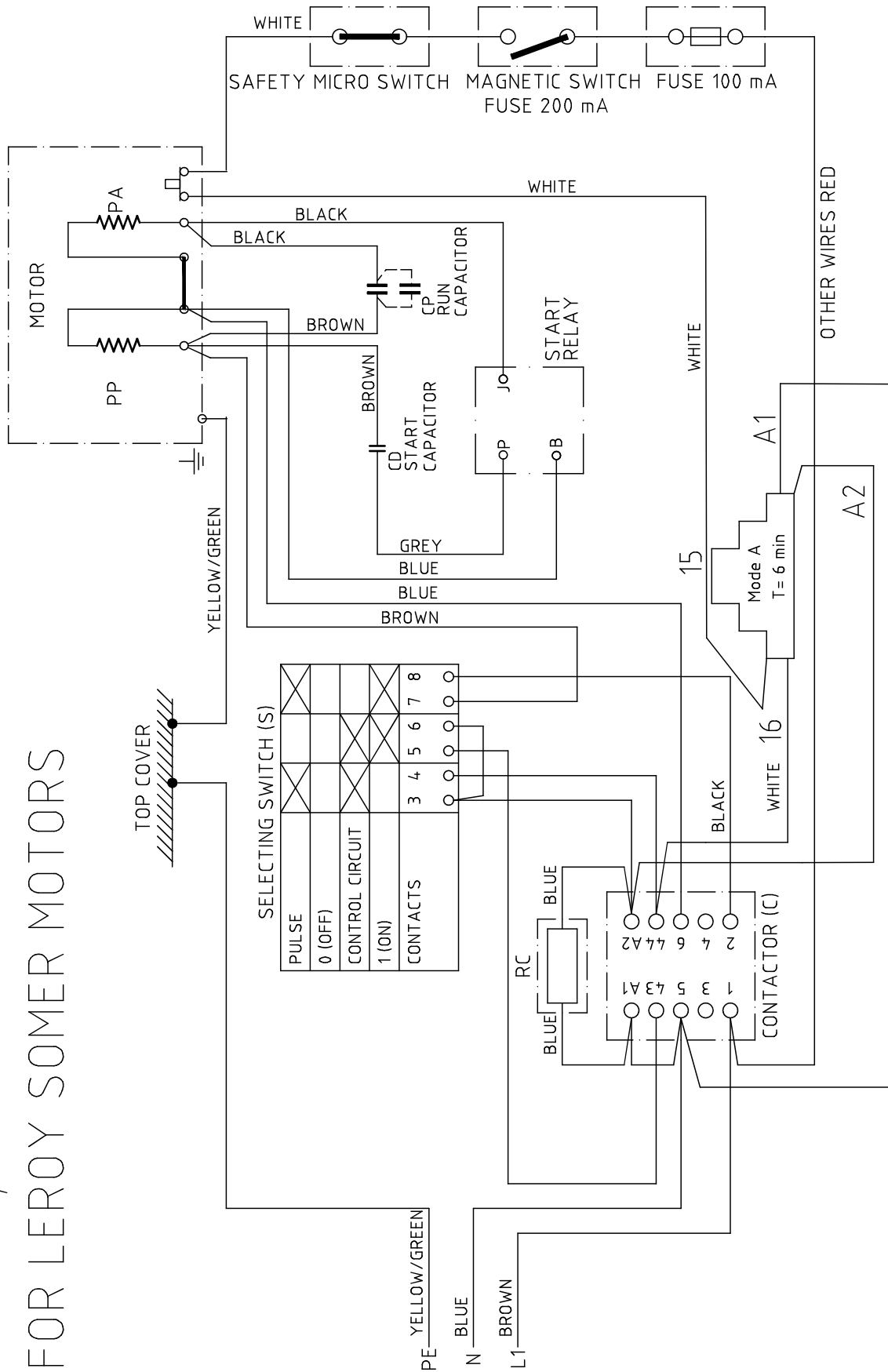
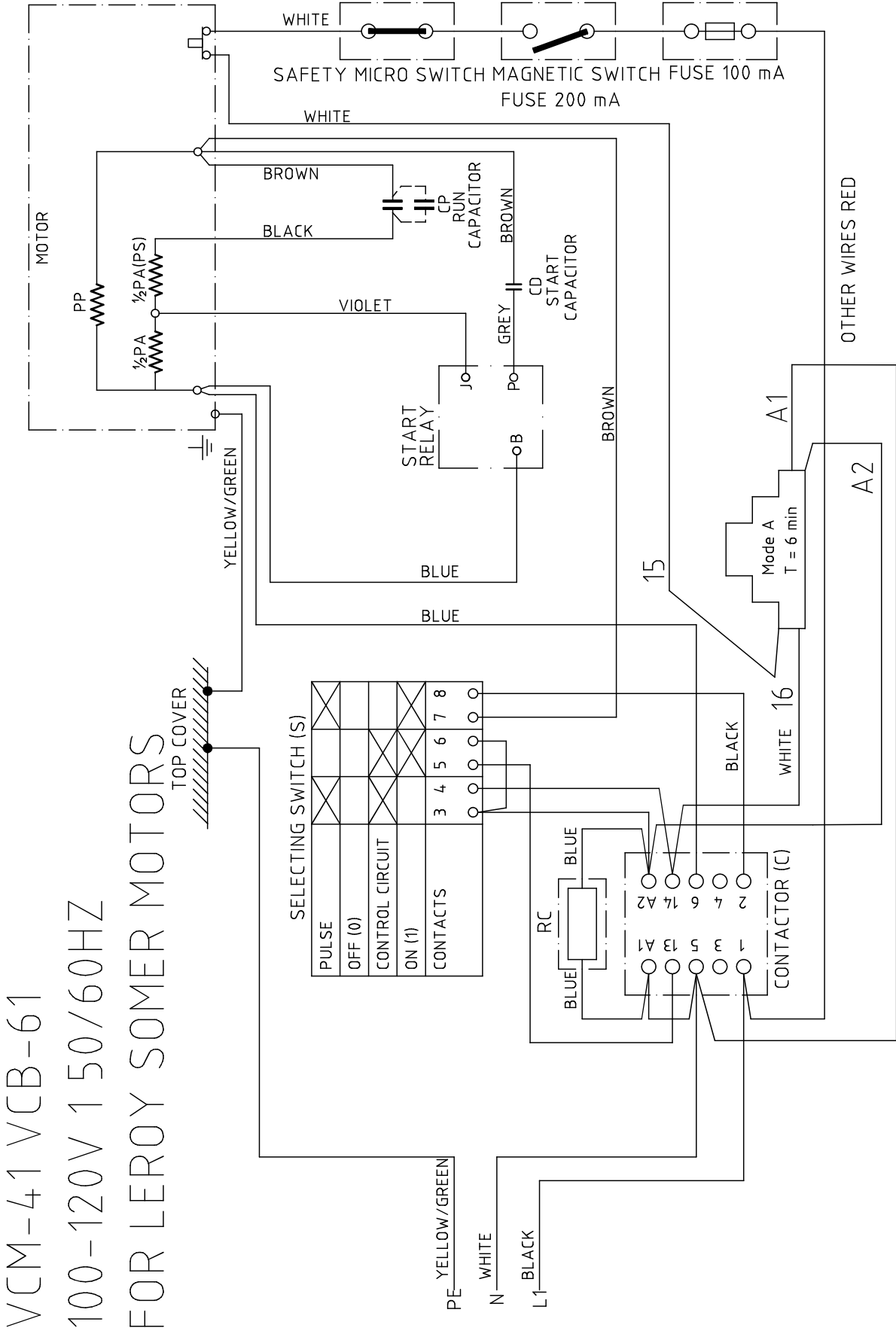


Nr LTR	Ant. Nbr.	Ändring Revisions	Datum Date	Inf. Dwn by	Godk. Appr.	ÄO Nr. Ch.O. No.
A	2	THE CAPACITORS COUPLING HAS CHANGED	100329	JH	OH	2231

VCM-41, VCB-61 220-240V50/60HZ
FOR LEROY SOMER MOTORS



HALLDE	VCM-41, VCB-61 220-240 150/60	Appr. OH	Date 20100203
		Drawing no. 21005/B	



VCM-41 VCB-61
 100-120V 1 50/60HZ
 FOR LEROY SOMER MOTORS

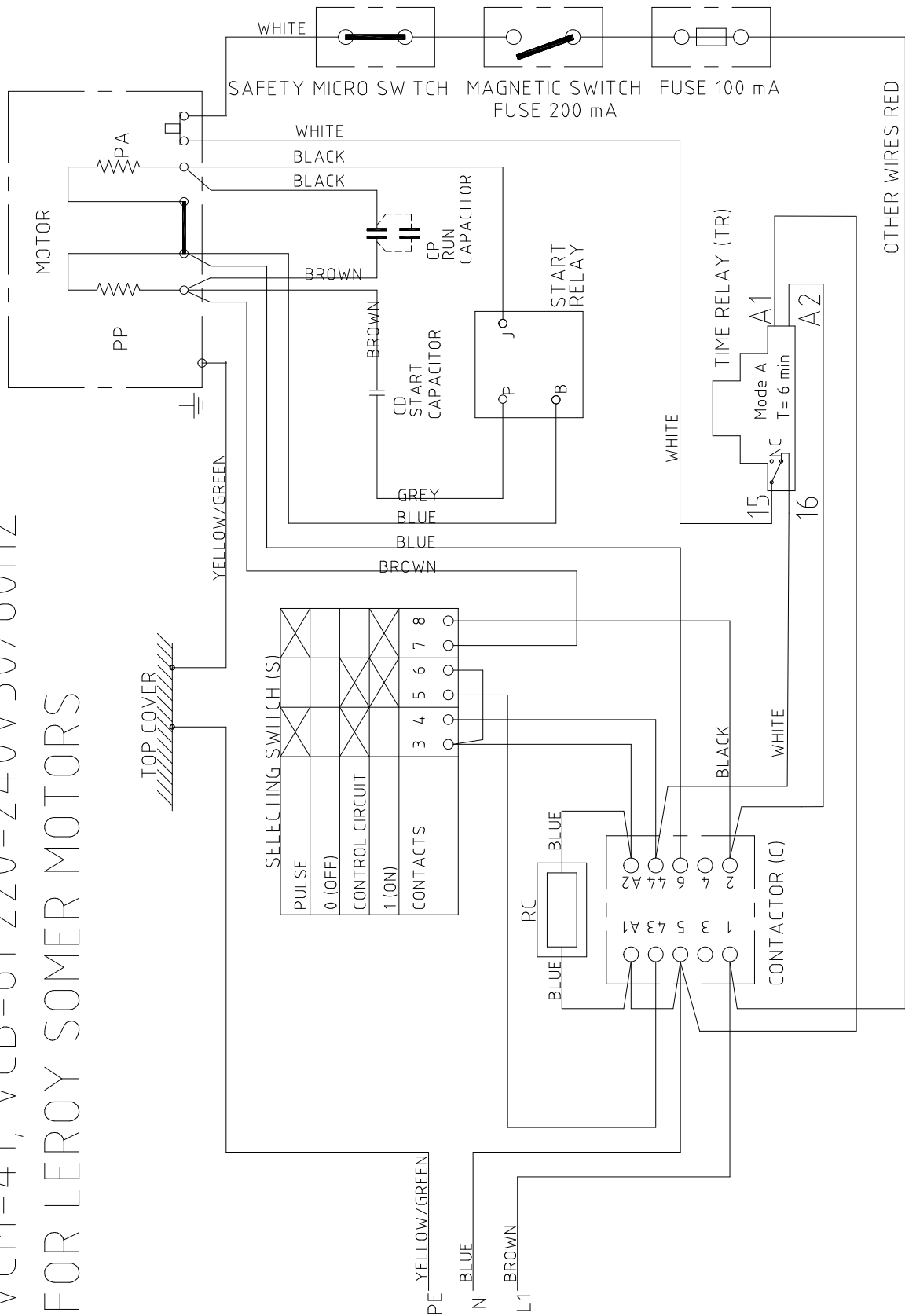


VCM-41, VCB-61
 100-120 1 50/60

Appr. JSt Date 20100203
 Drawing no. 21000/A

Nr LTR	Ant. Nbr.	Ändring Revisions	Datum Date	Inf. Dwn by	Godk. Appr.	ÄO Nr. Ch.O. No.
A	2	THE CAPACITORS COUPLING HAS CHANGED	100329	JH	OH	2231
B	B	B	B	B		
C	C	C	C	C	2493	2493

VCM-41, VCB-61 220-240V50/60HZ FOR LEROY SOMER MOTORS



HALLDE

VCM-41, VCB-61
220-240 150/60

Appr. OH

Date 20100203

Drawing no. 21005/C