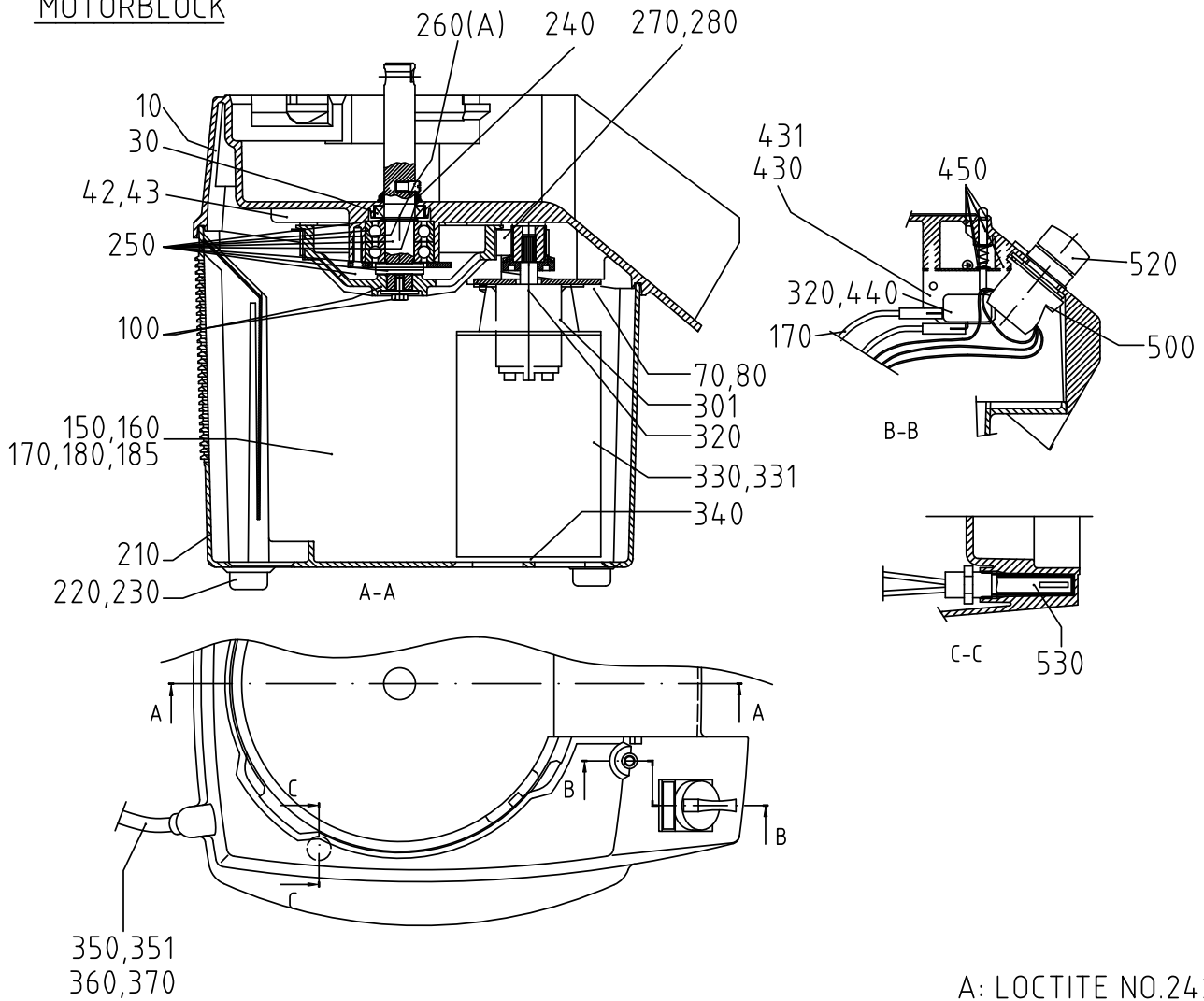
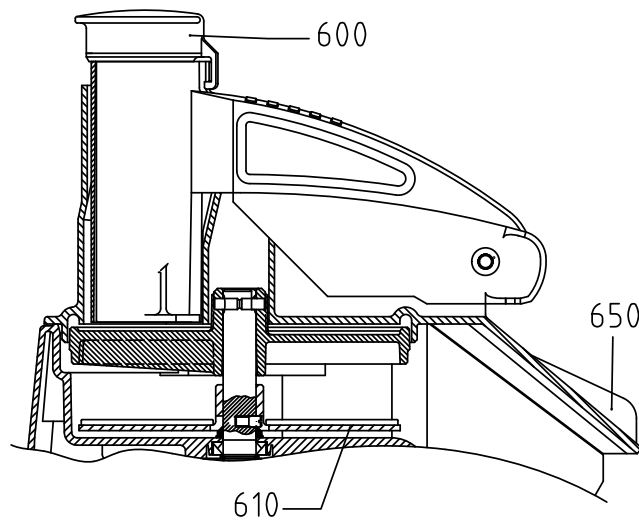


**VEGETABLE PREPARATION MACHINE RG-50**

MOTOR BASE  
MOTORBLOCK



VEGETABLE PREPARATION ATTACHMENT  
GRÖNSAKSSKARAR-TILLSATS



**VEGETABLE PREPARATION MACHINE RG-50**

No. on drawing	Item No.	Description	Pcs
10	24751	Housing, top	1
30	10259	Rubber seal washer 18X30X7	1
42	15384	Fuse T100MA	1
43	15385	Fuse holder	1
70	14344	Screw M5X12	4
80	14852	Screw MRT M5X10	4
100	1411	Pulley,knife shaft compl.	1
150	1110	Cable AWG L=130	1
160	24766	Cable AWG L=290	2
170	24767	Cable AWG L=290	1
180	24768	Cable AWG L=130	1
185	24769	Cable AWG L=220	1
210	24340	Housing, base	1
220	10494	Rubber foot F-107 B	4
230	14333	Screw MRX M4X12 A2 70 PH	4
240	10263	Seal ring V-18A	1
250	1415	Knife shaft compl.	1
260	24146	Pin, knife shaft	1
270	10624	Belt power GRIP 3MR 0390	1
280	24773	Pulley wheel complete	1
301	15707	Relay song chuan 735 3A C3 120	1
320	14611	Screw RTS ST2.9X9.5 A2 70 Form C	3
330	24753	Motor unit 110-120v 1 60 HZ	1
331	15711	Motor 220-240 1 50/60	1
340	24300	Net	1
350	24778	Supply cord 120v US	1
351	15149	Supply cord CB 1 phase CC-34/VCB-32/RG-50	1
360	10589	Strain relief clamp 55-016-89	2
370	14336	Screw MRT M4X25 A2 70 T20	2
430	24162	Bracket,safety switch	1
431	23227	Insulating barrier for switch	1
440	15694	Micro switch 83 160 7-N/C W3	1
450	1413	Activator pin, safety switch	1
500	15704	Contact block	1
520	15705	Knob 0/1	1
530	15354	Magnetic switch HM-S-16	1
600	24157	Pestle	1
610	83032	Ejector plate	1
650	24634	Feed head	1